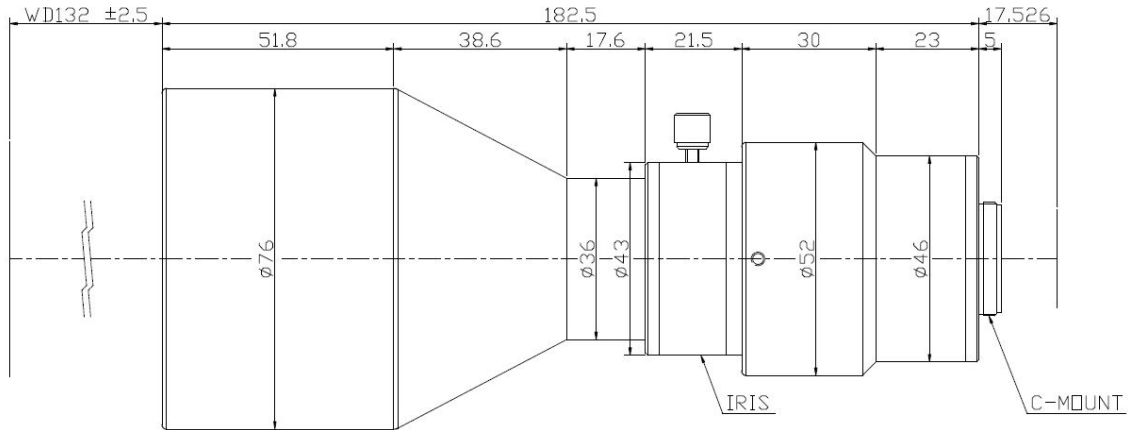


TC5M-042-130I



The Object Side Telecentric Lens TC5M-042-130I is suitable for sensors up to 5 megapixel and with an image format of 2/3 inch.

Technical Data

Art.Gr.	TEL
Magnification	0.42 X
Working Distance (WD)	132 mm
Depth of Field (DOF)	836 μ m @CoC 20 μ m
Resolution (Object Side)	5.4 μ m
Image Format (max.)	2/3 inch
Megapixel (max.)	5 MP
Working F-Number	3.35
Numerical Aperture (NA)	0.0462
Field of View (FOV)	20.1mm x 16.8mm @ 2/3
Telecentric Type	Object Side
Telecentricity	0.04 °
Optical Distortion (max.)	0.03 %
Mount Type	C-Mount

