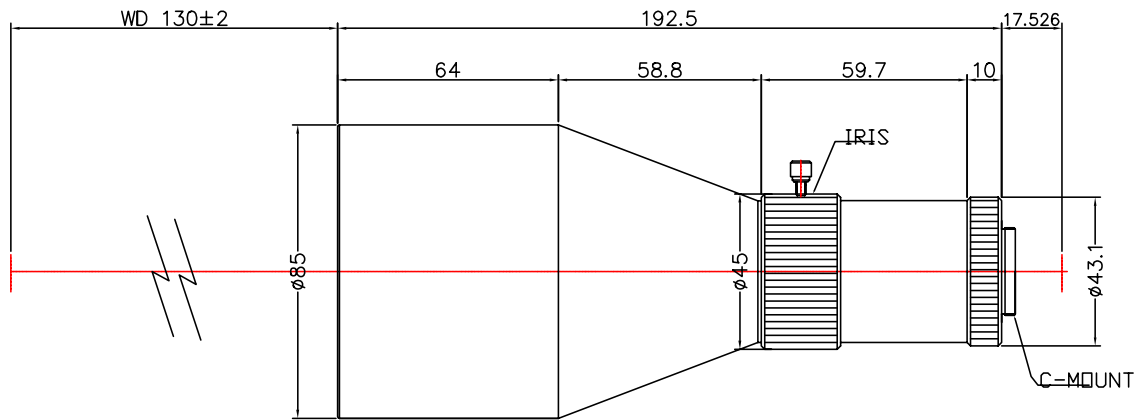


# TC5M-0315-130I



The Object Side Telecentric Lens TC5M-0315-130I is suitable for sensors up to 5 megapixel and with an image format of 2/3 inch.

## Technical Data

Art.Gr.	TEL
Magnification	0.315 X
Working Distance (WD)	130 mm
Depth of Field (DOF)	2520 $\mu\text{m}$ @CoC 20 $\mu\text{m}$
Resolution (Object Side)	13.3 $\mu\text{m}$
Image Format (max.)	2/3 inch
Megapixel (max.)	5 MP
Working F-Number	6.25
Numerical Aperture (NA)	0.0252
Field of View (FOV)	26.8mm x 22.4mm @ 2/3"
Telecentric Type	Object Side
Telecentricity	0.03 °
Optical Distortion (max.)	0.03 %
Mount Type	C-Mount

