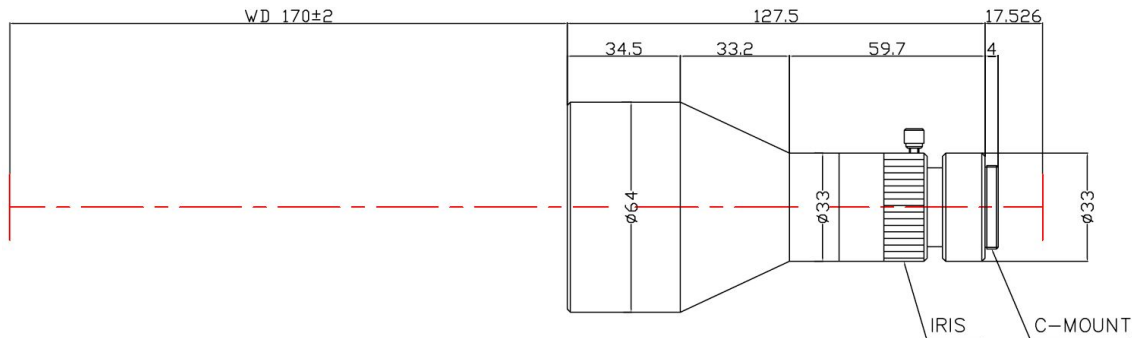


TC5M-03-170I



The Object Side Telecentric Lens TC5M-03-170I is suitable for sensors up to 5 megapixel and with an image format of 2/3 inch.

Technical Data

Art.Gr.	TEL
Magnification	0.3 X
Working Distance (WD)	170 mm
Depth of Field (DOF)	3.55 μm @CoC 20 μm
Resolution (Object Side)	17.94 μm
Image Format (max.)	2/3 inch
Megapixel (max.)	5 MP
Working F-Number	8
Numerical Aperture (NA)	0.0187
Field of View (FOV)	28.2mm x 23.7mm @ 2/3"
Telecentric Type	Object Side
Telecentricity	0.03 °
Optical Distortion (max.)	0.01 %
Mount Type	C-Mount

