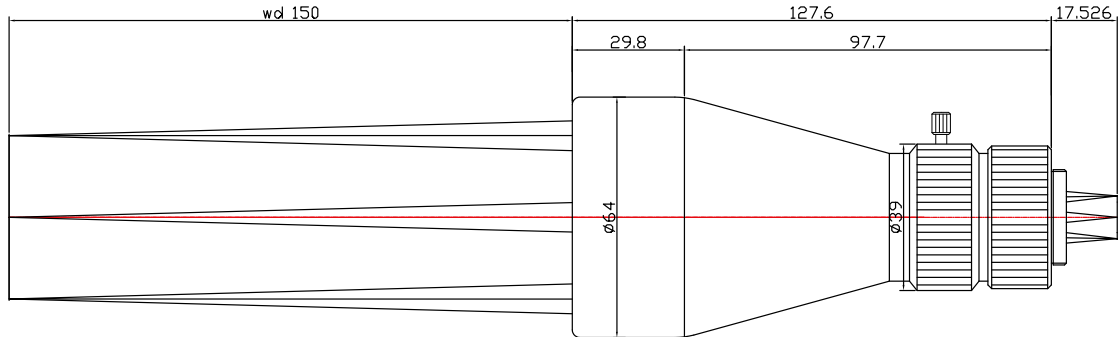


TC5M-026-150I



The Object Side Telecentric Lens TC5M-026-150I is suitable for sensors up to 5 megapixel and with an image format of 2/3 inch.

Technical Data

Art.Gr.	TEL
Magnification	0.26 X
Working Distance (WD)	150 mm
Depth of Field (DOF)	3100 μm @CoC 20 μm
Resolution (Object Side)	13.7 μm
Image Format (max.)	2/3 inch
Megapixel (max.)	5 MP
Working F-Number	5.3
Numerical Aperture (NA)	0.0245
Field of View (FOV)	32mm x 27mm @ 2/3"
Telecentric Type	Object Side
Telecentricity	0.03 °
Optical Distortion (max.)	0.08 %
Mount Type	C-Mount

