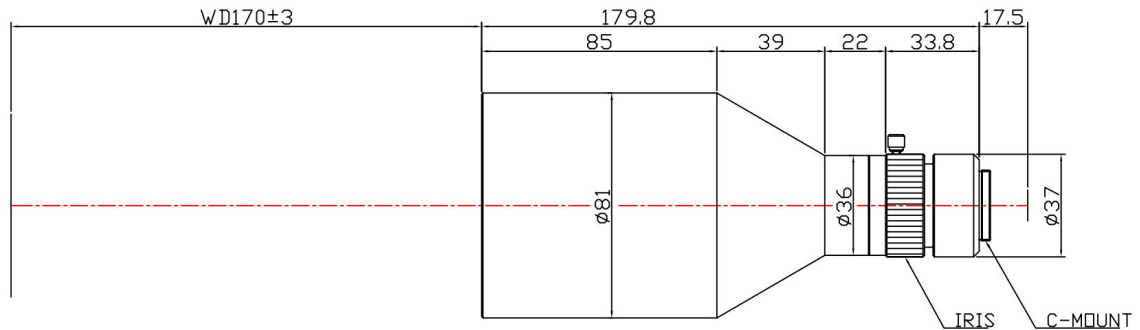


TC5M-017-170I



The Object Side Telecentric Lens TC5M-017-170I is suitable for sensors up to 5 megapixel and with an image format of 2/3 inch.

Technical Data

Magnification	0.17 X
Mount Type	C-Mount
Aperture (F)	5
Working Distance (WD)	170
Depth of Field (DOF)	4.78 μ m
Resolution (Object Side)	19.73 μ m
Numerical Aperture (NA)	0.017
Image Format (max.)	2/3 inch
Megapixel	5 MP
Field of View (FOV)	49.84 x 41.76
Telecentric Type	Object Side
Telecentricity	0.03 °
Optical Distortion (max.)	0.06 %
Special Feature	Standard

