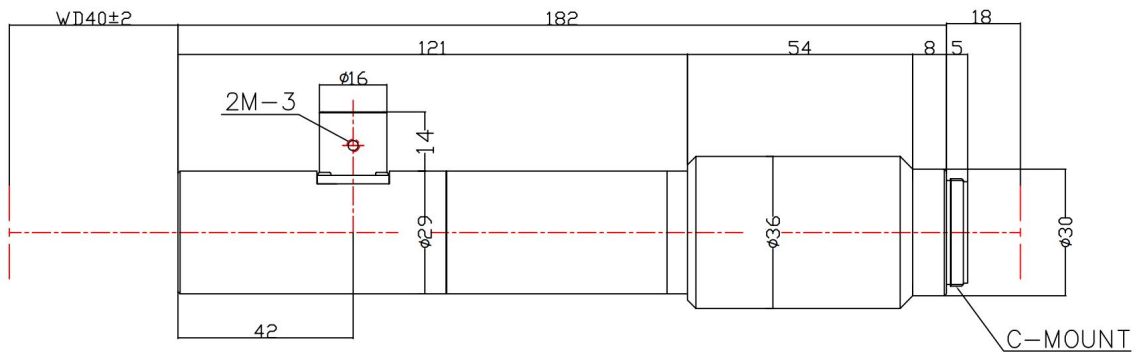


TC4MHR-30-40C



The Object Side Telecentric Lens TC4MHR-30-40C is suitable for sensors up to 4 megapixel and with an image format of 1 inch.

Technical Data

Art.Gr.	TEL
Magnification	3 X
Working Distance (WD)	40 mm
Depth of Field (DOF)	52 μ m @CoC 22 μ m
Resolution (Object Side)	2.4 μ m
Image Format (max.)	1 inch
Megapixel (max.)	4 MP
Working F-Number	10.7
Numerical Aperture (NA)	0.14
Field of View (FOV)	3.75mm x 3.75mm
Telecentric Type	Object Side
Telecentricity	0.04 °
Optical Distortion (max.)	0.03 %
Mount Type	C-Mount

