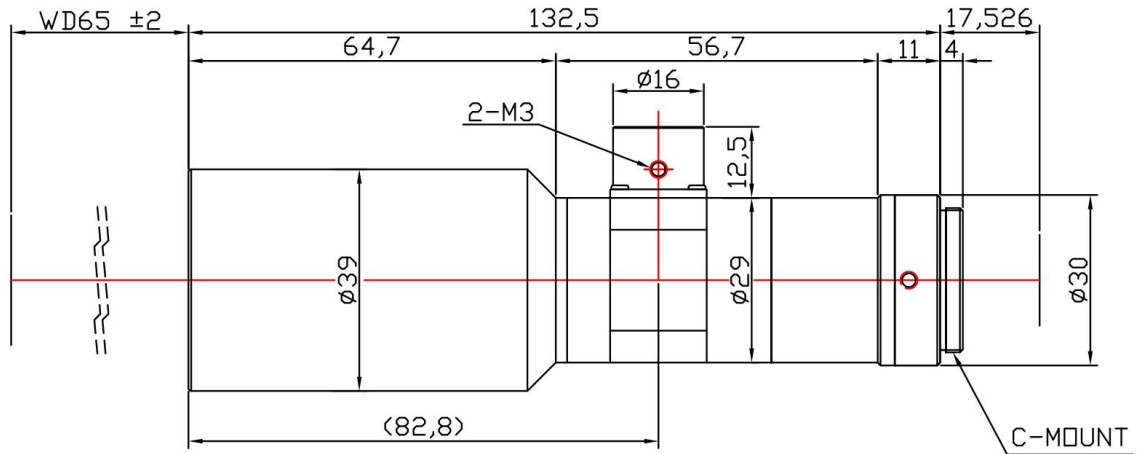


# TC4MHR-07-65C



The Object Side Telecentric Lens TC4MHR-07-65C is suitable for sensors up to 4 megapixel and with an image format of 1 inch.

## Technical Data

Magnification	3 X
Mount Type	C-Mount
Aperture (F)	10.7
Working Distance (WD)	40
Depth of Field (DOF)	52.3 µm
Resolution (Object Side)	2.4 µm
Numerical Aperture (NA)	0.14
Image Format (max.)	1 inch
Megapixel	4 MP
Field of View (FOV)	3.75 mm x 3.75 mm@1" CCD
Telecentric Type	Object Side
Telecentricity	0.04 °
Optical Distortion (max.)	0.03 %
Special Feature	High Res

