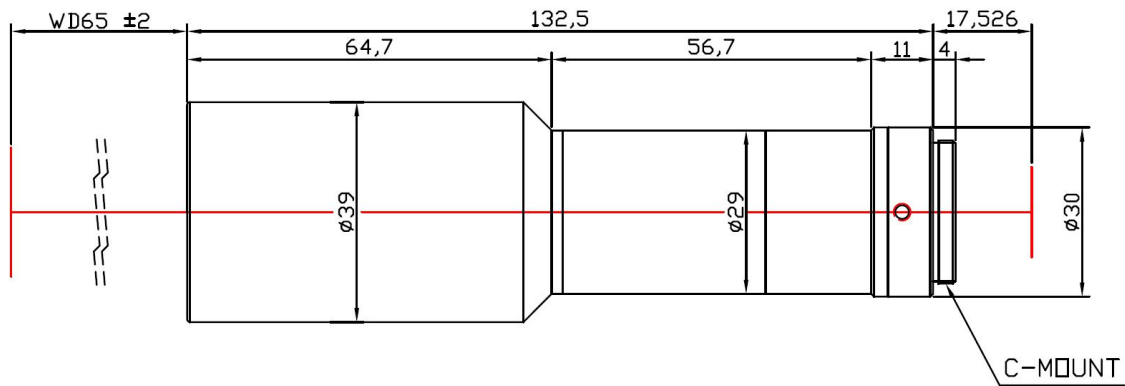


TC4MHR-07-65



The Object Side Telecentric Lens TC4MHR-07-65 is suitable for sensors up to 4 megapixel and with an image format of 1 inch.

Technical Data

Magnification	0.7 X
Working Distance (WD)	65 mm
Depth of Field (DOF)	610 µm @CoC µm
Resolution (Object Side)	6.6 µm
Image Format (max.)	1 inch
Megapixel (max.)	4 MP
Working F-Number	6.9
Numerical Aperture (NA)	0.051
Telecentric Type	Object Side
Telecentricity	0.03 °
Optical Distortion (max.)	0.03 %
Mount Type	C-Mount

