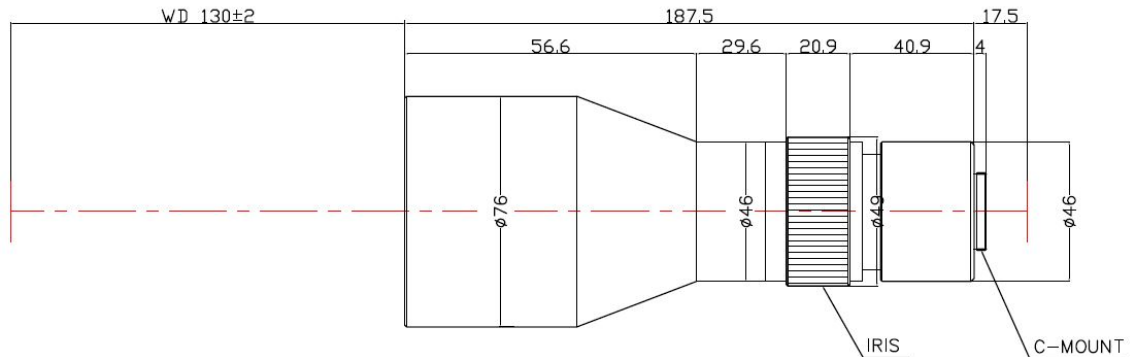


TC4MHR-0312-130I



The Object Side Telecentric Lens TC4MHR-0312-130I is suitable for sensors up to 4 megapixel and with an image format of 1 inch.

Technical Data

Art.Gr.	TEL
Magnification	0.312 X
Working Distance (WD)	130 mm
Depth of Field (DOF)	1500 μm @CoC 22 μm
Resolution (Object Side)	7.2 μm
Image Format (max.)	1 inch
Megapixel (max.)	4 MP
Working F-Number	3.3
Numerical Aperture (NA)	0.0465
Field of View (FOV)	36.1mm x 36.1mm
Telecentric Type	Object Side
Telecentricity	0.03 °
Optical Distortion (max.)	0.03 %
Mount Type	C-Mount

