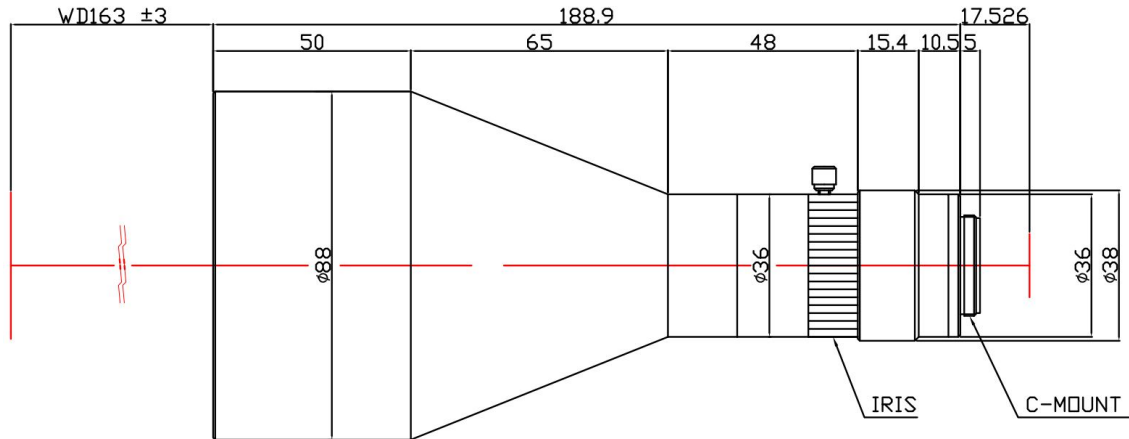


# TC4MHR-0215-163I



The Object Side Telecentric Lens TC4MHR-0215-163I is suitable for sensors up to 4 megapixel and with an image format of 1 inch.

## Technical Data

Magnification	0.215 X
Mount Type	C-Mount
Aperture (F)	5.6
Working Distance (WD)	163
Depth of Field (DOF)	5300 µm
Resolution (Object Side)	17.65 µm
Numerical Aperture (NA)	0.019
Image Format (max.)	1 inch
Megapixel	4 MP
Field of View (FOV)	52.37mm x 52.37mm@1" CCD
Telecentric Type	Object Side
Telecentricity	0.03 °
Optical Distortion (max.)	0.03 %
Special Feature	High Res

