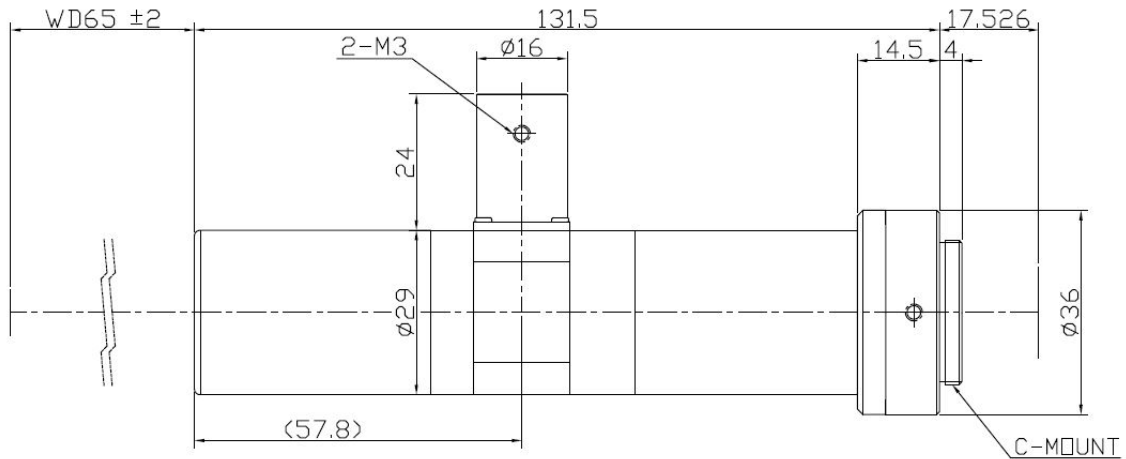


TC4M-20-65C



The Object Side Telecentric Lens TC4M-20-65C is suitable for sensors up to 4 megapixel and with an image format of 1 inch.

Technical Data

Art.Gr.	TEL
Magnification	2 X
Working Distance (WD)	65 mm
Depth of Field (DOF)	110 µm @CoC 22 µm
Resolution (Object Side)	3.3 µm
Image Format (max.)	1 inch
Megapixel (max.)	4 MP
Working F-Number	10
Numerical Aperture (NA)	0.1
Field of View (FOV)	5.63mm x 5.63mm
Telecentric Type	Object Side
Telecentricity	0.04 °
Optical Distortion (max.)	0.03 %
Mount Type	C-Mount

