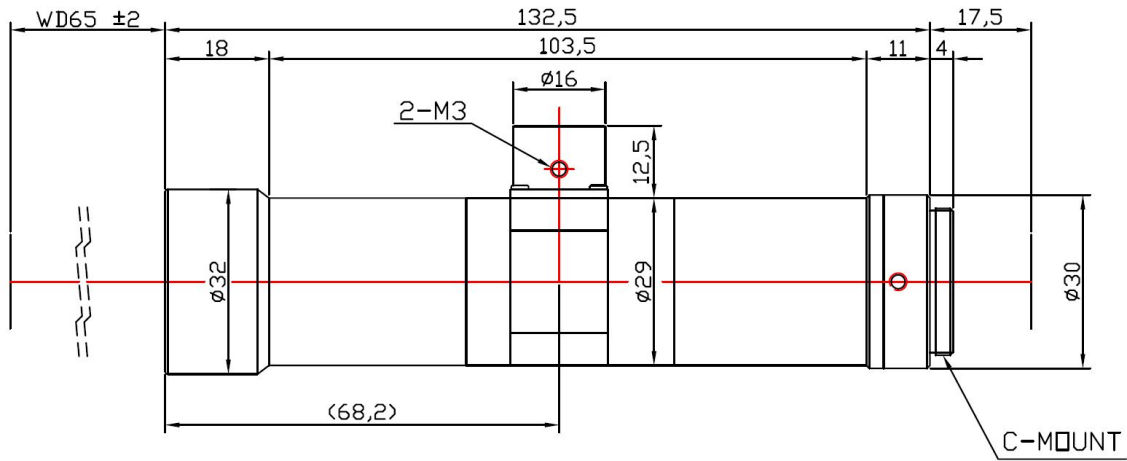


TC4M-10-65C



The Object Side Telecentric Lens TC4M-10-65C is suitable for sensors up to 4 megapixel and with an image format of 1 inch.

Technical Data

Art.Gr.	TEL
Magnification	1 X
Working Distance (WD)	65 mm
Depth of Field (DOF)	352 μ m @CoC 22 μ m
Resolution (Object Side)	5.4 μ m
Image Format (max.)	1 inch
Megapixel (max.)	4 MP
Working F-Number	8
Numerical Aperture (NA)	0.062
Field of View (FOV)	11.26mm x 11.26mm
Telecentric Type	Object Side
Telecentricity	0.03 °
Optical Distortion (max.)	0.03 %
Mount Type	C-Mount

