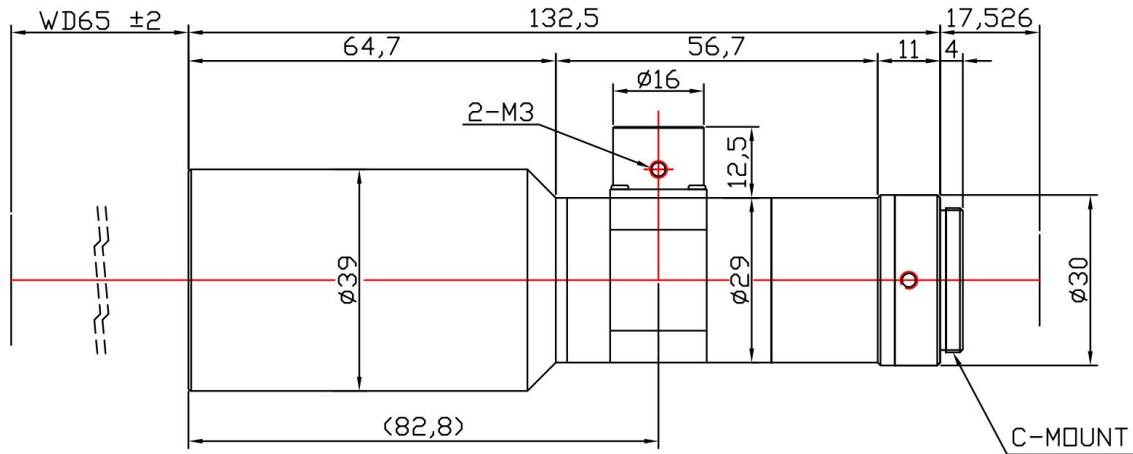


# TC4M-07-65C



The Object Side Telecentric Lens TC4M-07-65C is suitable for sensors up to 4 megapixel and with an image format of 1 inch.

## Technical Data

Art.Gr.	TEL
Magnification	0.7 X
Working Distance (WD)	65 mm
Depth of Field (DOF)	610 $\mu$ m @CoC 22 $\mu$ m
Resolution (Object Side)	6.6 $\mu$ m
Image Format (max.)	1 inch
Megapixel (max.)	4 MP
Working F-Number	6.9
Numerical Aperture (NA)	0.051
Field of View (FOV)	3.75mm x 3.75mm
Telecentric Type	Object Side
Telecentricity	0.03 °
Optical Distortion (max.)	0.03 %
Mount Type	C-Mount

