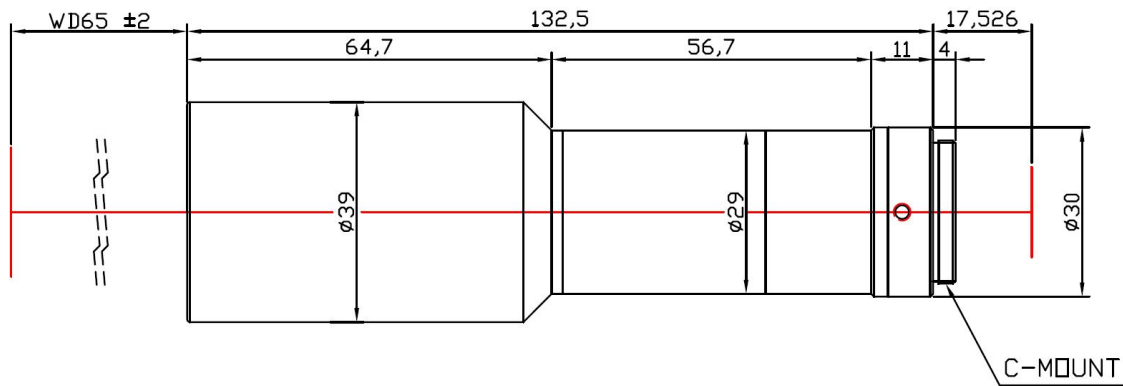


# TC4M-07-65



The Object Side Telecentric Lens TC4M-07-65 is suitable for sensors up to 4.00 megapixel.

## Technical Data

Art.Gr.	TEL
Magnification	0.70 X
Working Distance (WD)	65.00 mm
Depth of Field (DOF)	610.00 µm @CoC 22.00 µm
Resolution (Object Side)	6.60 µm
Image Format (max.)	1 inch
Megapixel (max.)	4.00 MP
Working F-Number	6.90
Numerical Aperture (NA)	0.05
Field of View (FOV)	16.14mm x 16.14mm
Telecentric Type	Object Side
Telecentricity	0.03 °
Optical Distortion (max.)	0.03 %
Mount Type	C-Mount

