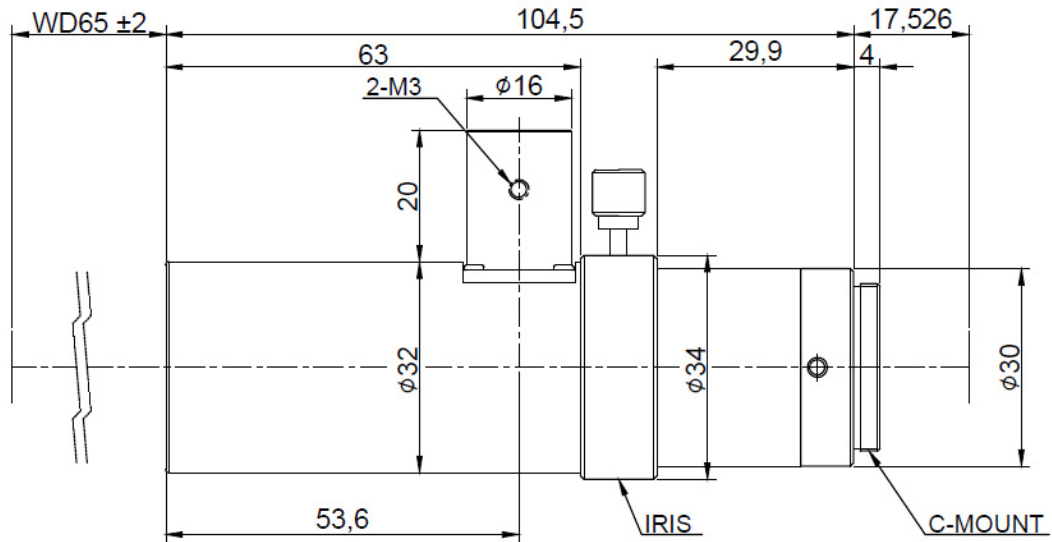


# TC10M-10-65IC



The Object Side Telecentric Lens TC10M-10-65IC is suitable for sensors up to 10 megapixel and with an image format of 2/3 inch.

## Technical Data

Art.Gr.	TEL
Magnification	1 X
Working Distance (WD)	65 mm
Depth of Field (DOF)	360 $\mu$ m @CoC 40 $\mu$ m
Resolution (Object Side)	3.05 $\mu$ m
Image Format (max.)	2/3 inch
Megapixel (max.)	10 MP
Working F-Number	4.5
Numerical Aperture (NA)	0.11
Field of View (FOV)	8.8mm x 6.6mm @ 2/3
Telecentric Type	Object Side
Telecentricity	0.03 °
Optical Distortion (max.)	0.03 %
Mount Type	C-Mount

