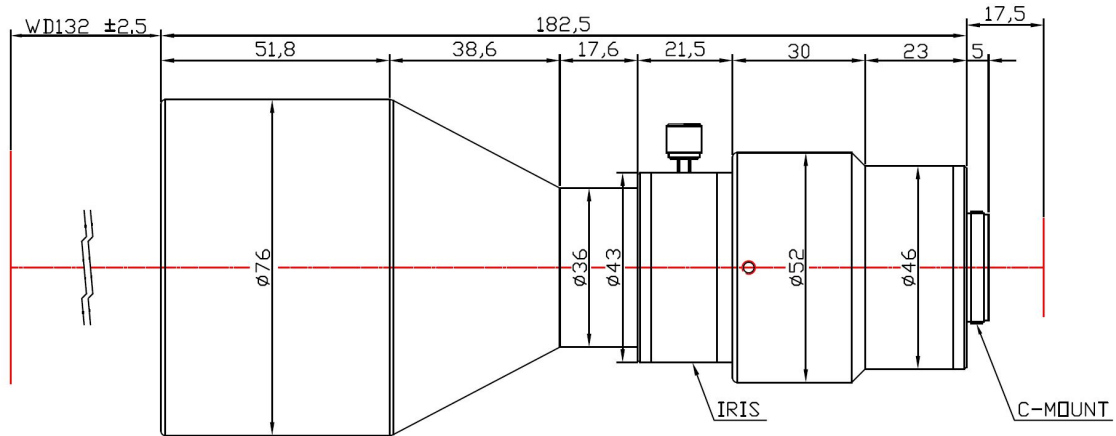


# TC10M-042-132I



The Object Side Telecentric Lens TC10M-042-132I is suitable for sensors up to 10 megapixel and with an image format of 2/3 inch.

## Technical Data

Art.Gr.	TEL
Magnification	0.42 X
Working Distance (WD)	132 mm
Depth of Field (DOF)	2000 $\mu\text{m}$ @CoC 40 $\mu\text{m}$
Resolution (Object Side)	7.3 $\mu\text{m}$
Image Format (max.)	2/3 inch
Megapixel (max.)	10 MP
Working F-Number	4.5
Numerical Aperture (NA)	0.0462
Field of View (FOV)	43.2mm x 32.4mm @ 2/3
Telecentric Type	Object Side
Telecentricity	0.02 °
Optical Distortion (max.)	0.04 %
Mount Type	C-Mount

