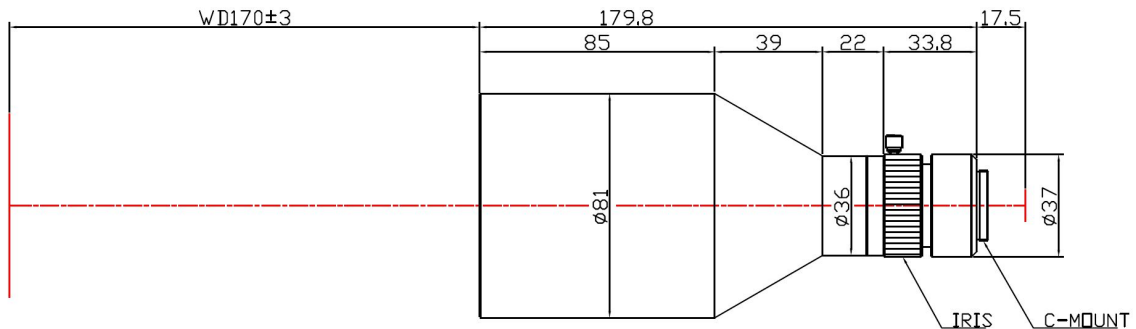


TC10M-017-170I



The Object Side Telecentric Lens TC10M-017-170I is suitable for sensors up to 10 megapixel and with an image format of 2/3 inch.

Technical Data

Art.Gr.	TEL
Magnification	0.17 X
Working Distance (WD)	170 mm
Depth of Field (DOF)	6900 μm @CoC 40 μm
Resolution (Object Side)	19.7 μm
Image Format (max.)	2/3 inch
Megapixel (max.)	10 MP
Working F-Number	5
Numerical Aperture (NA)	0.017
Field of View (FOV)	49.84mm x 41.76mm @ 2/3
Telecentric Type	Object Side
Telecentricity	0.03 °
Optical Distortion (max.)	0.06 %
Mount Type	C-Mount

