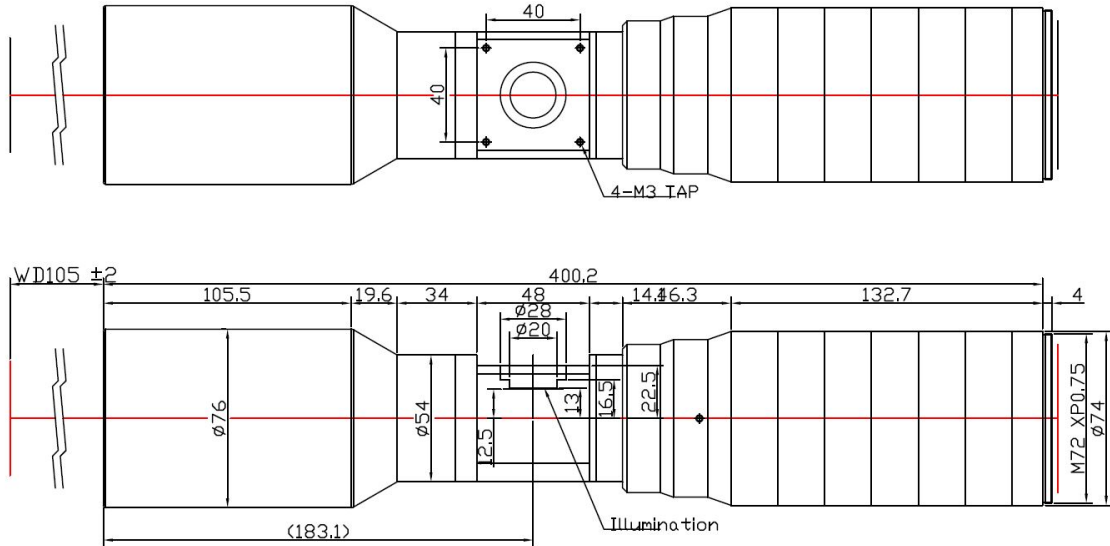


T47M-13-105C



The Object Side Telecentric Lens T47M-13-105C is suitable for sensors up to 47 megapixel and with an image format of 56.7mm (diagonal).

Technical Data

Art.Gr.	TEL
Magnification	1.3 X
Working Distance (WD)	105 mm
Depth of Field (DOF)	281 µm @CoC 22 µm
Resolution (Object Side)	5.6 µm
Image Format (max.)	56.7mm (diagonal)
Megapixel (max.)	47 MP
Working F-Number	10.8
Numerical Aperture (NA)	0.06
Field of View (FOV)	37.46mm x 22.3mm
Telecentric Type	Object Side
Telecentricity	0.03 °
Optical Distortion (max.)	0.03 %
Mount Type	M72

