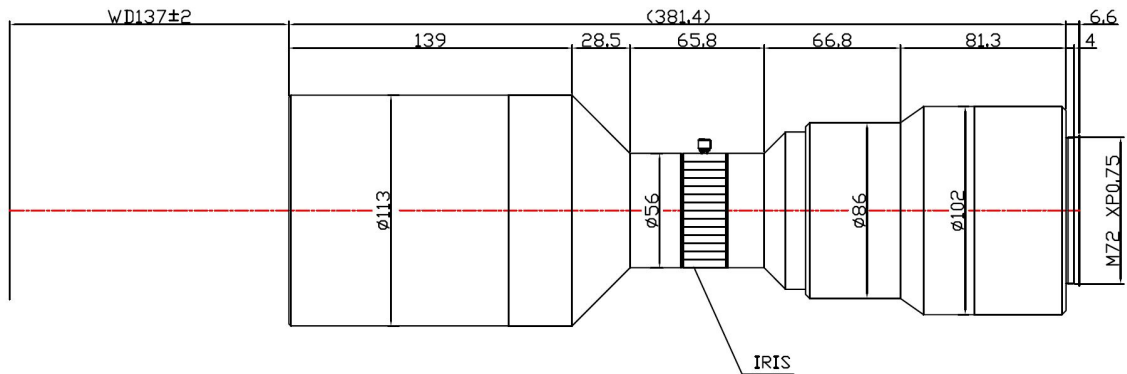


T47M-087-137I



The Object Side Telecentric Lens T47M-087-137I is suitable for sensors up to 47 megapixel and with an image format of 56.7mm (diagonal).

Technical Data

| | |
|---------------------------|-----------------------------|
| Art.Gr. | TEL |
| Magnification | 0.87 X |
| Working Distance (WD) | 137 mm |
| Depth of Field (DOF) | 482 μ m @CoC 22 μ m |
| Resolution (Object Side) | 6.4 μ m |
| Image Format (max.) | 56.7mm (diagonal) |
| Megapixel (max.) | 47 MP |
| Working F-Number | 8.3 |
| Numerical Aperture (NA) | 0.052 |
| Field of View (FOV) | 55.97mm x 33.33mm |
| Telecentric Type | Object Side |
| Telecentricity | 0.04 ° |
| Optical Distortion (max.) | 0.07 % |
| Mount Type | M72 |

