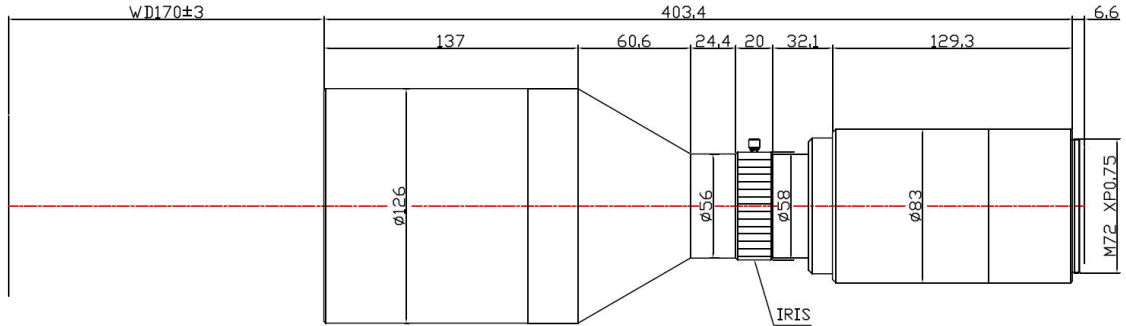


T47M-064-170I



The Object Side Telecentric Lens T47M-064-170I is suitable for sensors up to 47 megapixel and with an image format of 56.7mm (diagonal).

Technical Data

Art.Gr.	TEL
Magnification	0.64 X
Working Distance (WD)	170 mm
Depth of Field (DOF)	860 μ m @CoC 22 μ m
Resolution (Object Side)	8.4 μ m
Image Format (max.)	56.7mm (diagonal)
Megapixel (max.)	47 MP
Working F-Number	8
Numerical Aperture (NA)	0.04
Field of View (FOV)	79.09mm x 45.31mm
Telecentric Type	Object Side
Telecentricity	0.04 °
Optical Distortion (max.)	0.06 %
Mount Type	M72

