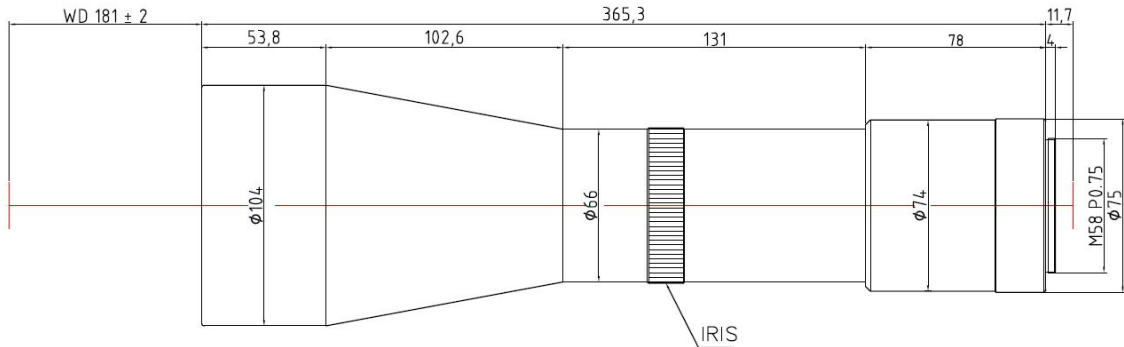


# T29M-0664-181I



The Double Side Telecentric Lens T29M-0664-181I is suitable for sensors up to 29 megapixel and with an image format of 43mm (diagonal).

## Technical Data

Art.Gr.	TEL
Magnification	0.664 X
Working Distance (WD)	181 mm
Depth of Field (DOF)	828 $\mu\text{m}$ @CoC 22 $\mu\text{m}$
Resolution (Object Side)	8.4 $\mu\text{m}$
Image Format (max.)	43mm (diagonal)
Megapixel (max.)	29 MP
Working F-Number	8.3
Numerical Aperture (NA)	0.04
Field of View (FOV)	54mm x 36mm
Telecentric Type	Double Side
Telecentricity	0.05 °
Optical Distortion (max.)	0.05 %
Mount Type	M58

