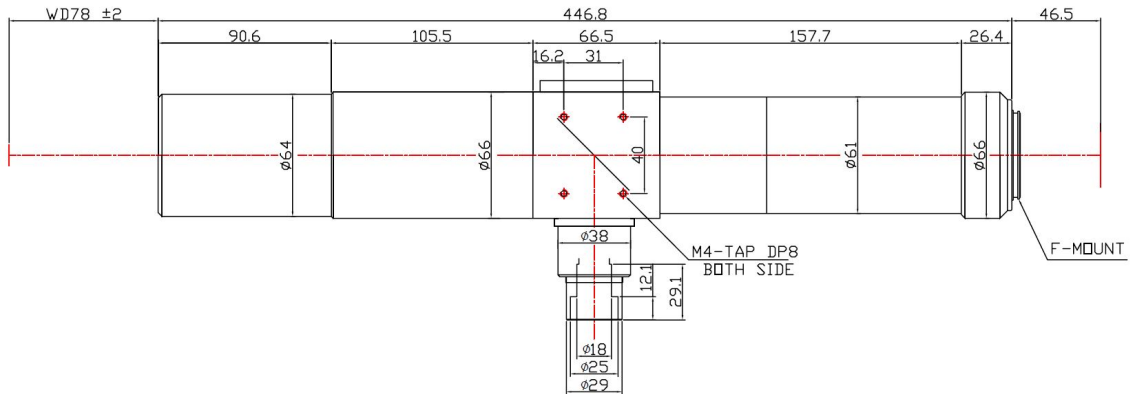


T25M-30-78C



The Object Side Telecentric Lens T25M-30-78C is suitable for sensors up to 25 megapixel and with an image format of 32mm (diagonal).

Technical Data

| | |
|---------------------------|------------------|
| Art.Gr. | TEL |
| Magnification | 3 X |
| Working Distance (WD) | 78 mm |
| Depth of Field (DOF) | 60 µm @CoC 18 µm |
| Resolution (Object Side) | 3.4 µm |
| Image Format (max.) | 32mm (diagonal) |
| Megapixel (max.) | 25 MP |
| Working F-Number | 15 |
| Numerical Aperture (NA) | 0.1 |
| Field of View (FOV) | 7.68mm x 7.68mm |
| Telecentric Type | Object Side |
| Telecentricity | 0.04 ° |
| Optical Distortion (max.) | 0.09 % |
| Mount Type | F-Mount |

