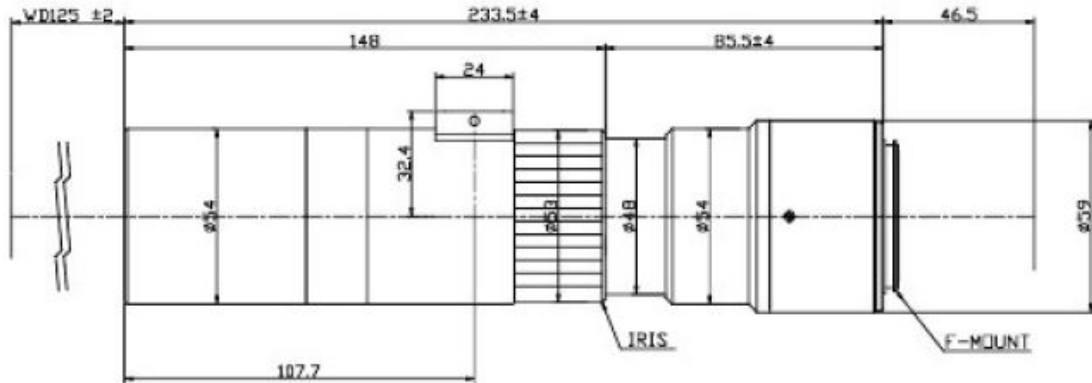


T25M-128-125IC



The Object Side Telecentric Lens T25M-128-125IC is suitable for sensors up to 25 megapixel and with an image format of 32mm (diagonal).

Technical Data

Art.Gr.	TEL
Magnification	1.28 X
Working Distance (WD)	125 mm
Depth of Field (DOF)	197 μm @CoC 22 μm
Resolution (Object Side)	4.7 μm
Image Format (max.)	32mm (diagonal)
Megapixel (max.)	25 MP
Working F-Number	9
Numerical Aperture (NA)	0.071
Field of View (FOV)	18mm x 18mm
Telecentric Type	Object Side
Telecentricity	0.02 °
Optical Distortion (max.)	0.03 %
Mount Type	F-Mount

