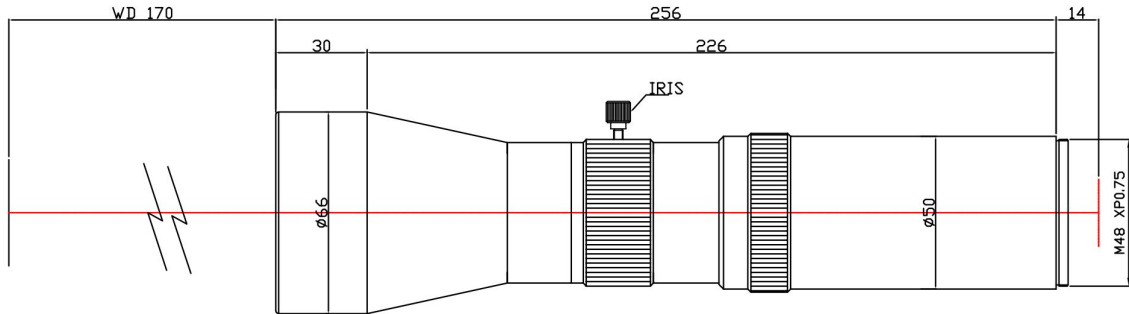


T25M-092-170I



The Object Side Telecentric Lens T25M-092-170I is suitable for sensors up to 25 megapixel and with an image format of 32mm (diagonal). Weight: 750 g

Technical Data

Art.Gr.	TEL
Magnification	0.92 X
Working Distance (WD)	170 mm
Depth of Field (DOF)	306 μm @CoC 18 μm
Resolution (Object Side)	5.2 μm
Image Format (max.)	32mm (diagonal)
Megapixel (max.)	25 MP
Working F-Number	7.2
Numerical Aperture (NA)	0.064
Field of View (FOV)	24.7mm x 24.7mm
Telecentric Type	Object Side
Telecentricity	0.04 °
Optical Distortion (max.)	0.03 %
Mount Type	M48

