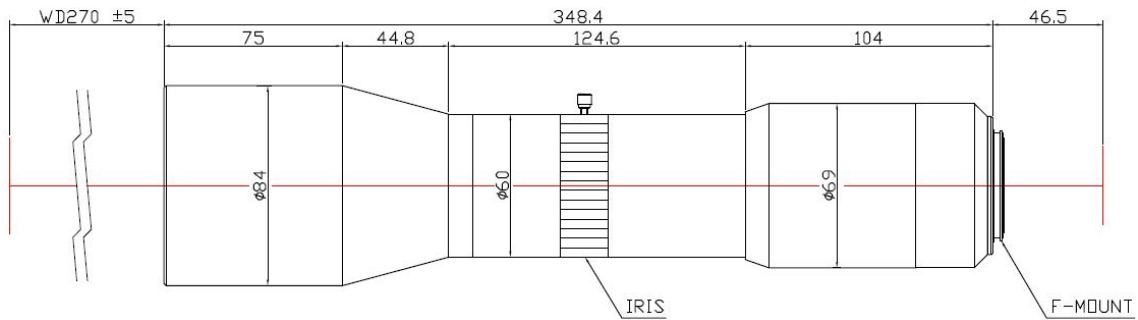


# T25M-082-270I



The Object Side Telecentric Lens T25M-082-270I is suitable for sensors up to 25 megapixel and with an image format of 32mm (diagonal).

## Technical Data

Art.Gr.	TEL
Magnification	0.82 X
Working Distance (WD)	270 mm
Depth of Field (DOF)	401 $\mu\text{m}$ @CoC 18 $\mu\text{m}$
Resolution (Object Side)	6.1 $\mu\text{m}$
Image Format (max.)	32mm (diagonal)
Megapixel (max.)	25 MP
Working F-Number	7.5
Numerical Aperture (NA)	0.0546
Field of View (FOV)	28.8mm x 28.8mm
Telecentric Type	Object Side
Telecentricity	0.03 °
Optical Distortion (max.)	0.04 %
Mount Type	F-Mount

