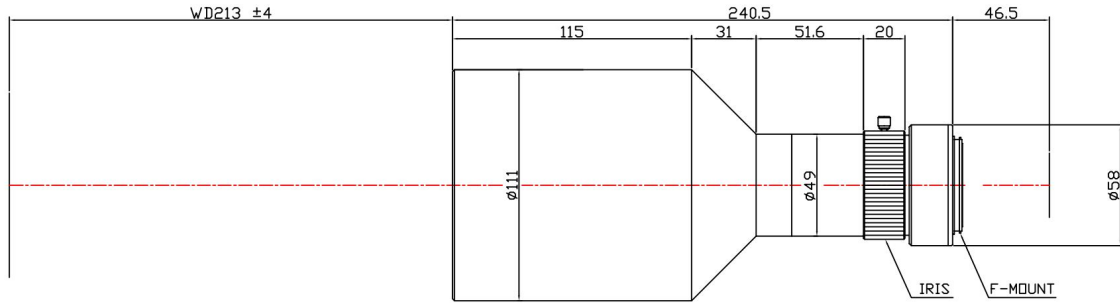


# T25M-035-213I



The Object Side Telecentric Lens T25M-035-213I is suitable for sensors up to 25 megapixel and with an image format of 32mm (diagonal).

## Technical Data

Magnification	0.35 X
Mount Type	M48
Aperture (F)	7.5
Working Distance (WD)	213
Depth of Field (DOF)	2200 $\mu\text{m}$
Circle of Confusion (CoC)	18 $\mu\text{m}$
Resolution (Object Side)	14.39 $\mu\text{m}$
Numerical Aperture (NA)	0.0233
Image Format (max.)	32mm (diagonal)
Megapixel	25 MP
Field of View (FOV)	64.8mm x 64.8mm @25M CCD
Telecentric Type	Object Side
Telecentricity	0.03 °
Optical Distortion (max.)	0.08 %
Special Feature	Standard

