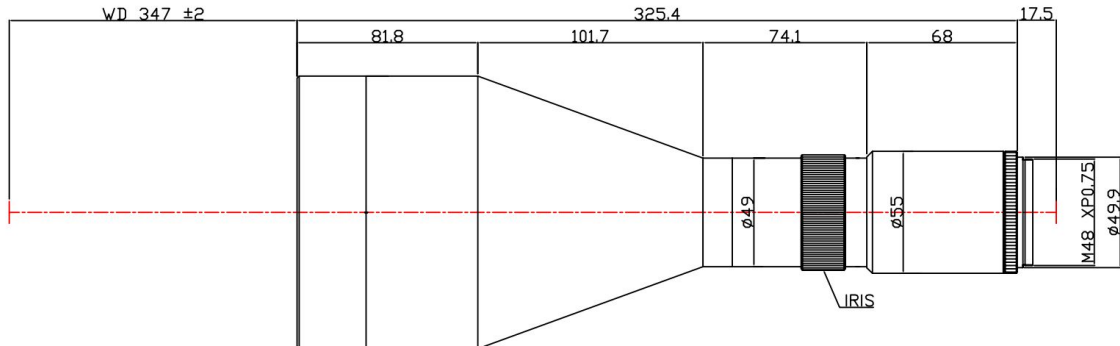


T25M-033-347I



The Object Side Telecentric Lens T25M-033-347I is suitable for sensors up to 25 megapixel and with an image format of 32mm (diagonal).

Technical Data

Art.Gr.	TEL
Magnification	0.33 X
Working Distance (WD)	347 mm
Depth of Field (DOF)	2700 μm @CoC 18 μm
Resolution (Object Side)	16.8 μm
Image Format (max.)	32mm (diagonal)
Megapixel (max.)	25 MP
Working F-Number	8.25
Numerical Aperture (NA)	0.02
Field of View (FOV)	68.8mm x 68.8mm
Telecentric Type	Object Side
Telecentricity	0.03 °
Optical Distortion (max.)	0.02 %
Mount Type	M48

