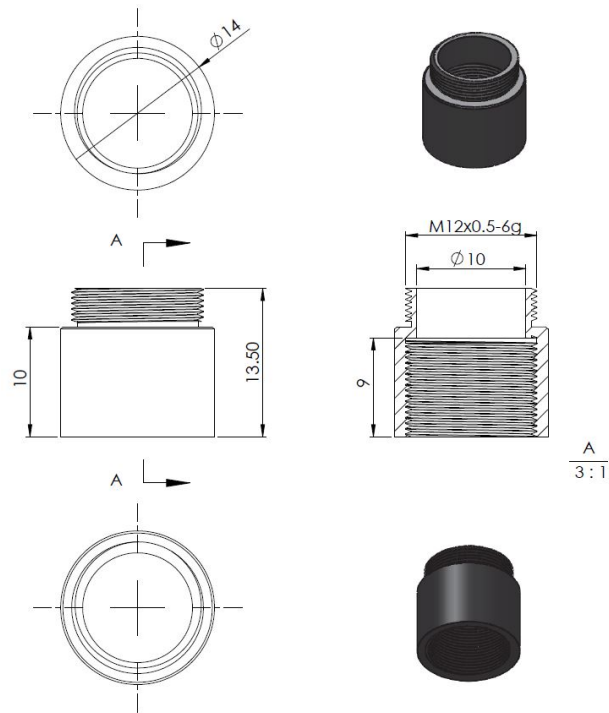


Lensagon ST10



M12 extension ring 10 mm, anodized

Technical Data

AC Type	Extension
Material	Aluminum
Height	851 mm
Width	731 mm
Color	Black
Weight	1.4 g

