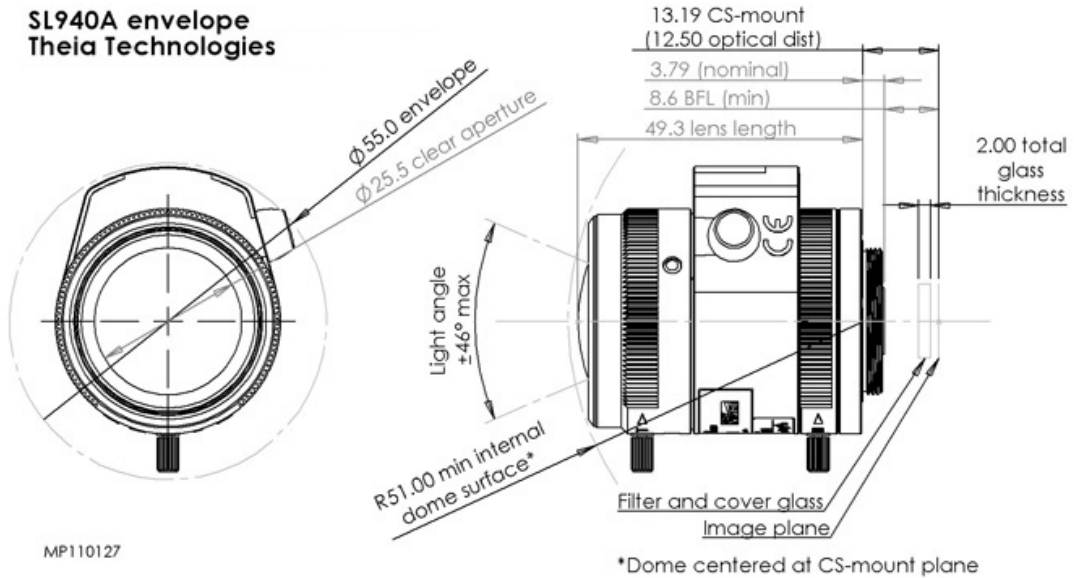


Theia SL940A

SL940A envelope
Theia Technologies



The CS-Mount lens Theia SL940A is suitable for common sensors up to 5 megapixel with an image format of 1/2.5 inch. It is characterized by a particularly high light intensity.

Technical Data

Mount	CS-Mount
Sensor	1/2.5 inch
Focal Length	9 mm
max. Focal Length	40 mm
Aperture	1.5
MOD	2.5 m
Back Focal	9.1 mm
Angle of View	D:46° H:36° V:27°
Megapixel	5 MP
IR Correction	Yes
IR Cut Filter	No
Weight	70 g
Iris	DC autoiris
Focus	manual-lock
Typ	Standard



Light Sensitive



5 Megapixel