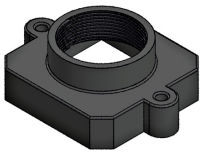
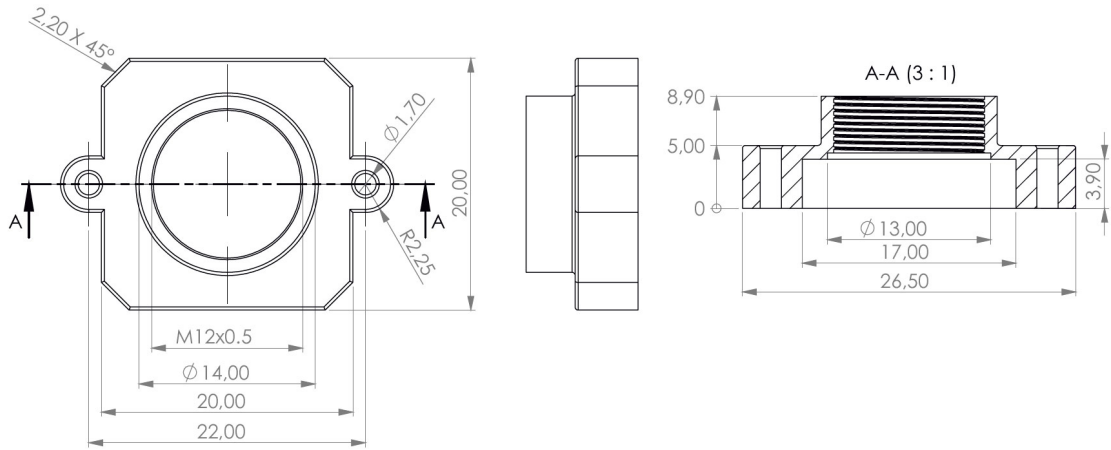


Lensagon SH04F85



L/W/H : 19,8mm x 19,8mm x 8,9mm, M12 lens holder, mounting hole distance 22mm, no side hole for lock screw

Subject to change without notice.

Technical Data

AC Type	Holder
Height	718 mm
Length	19.8 mm
Width	1759 mm
Hole distance	22 mm
sperre	-1

