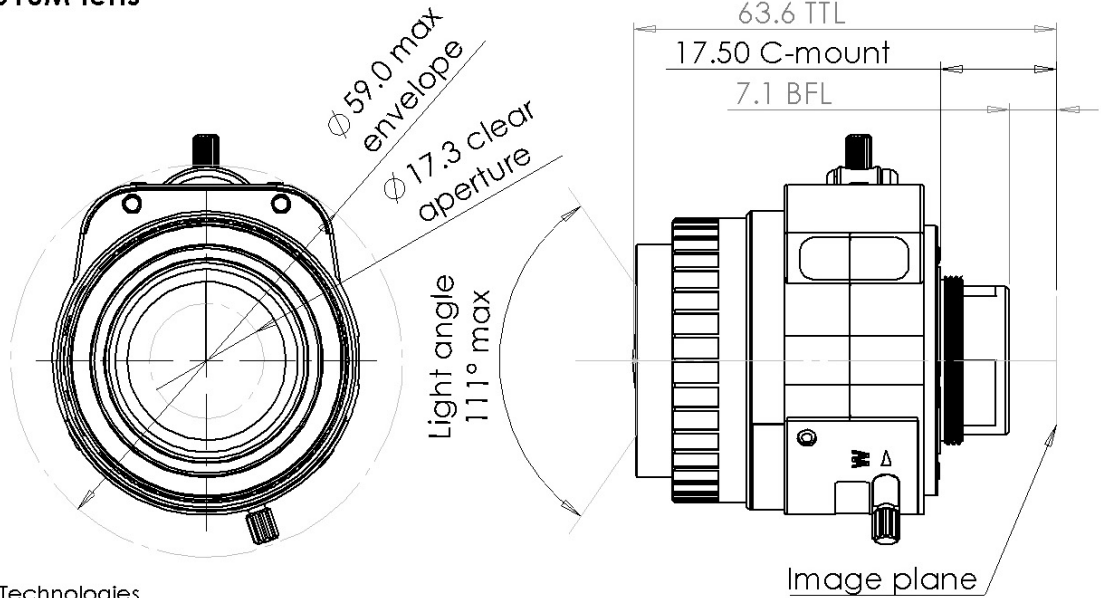


Theia ML610M

ML610M lens



Theia Technologies
MDP 8/21/2018



The C-Mount lens Theia ML610M is suitable for current sensors up to 12 megapixel with an image format of 2/3 inch. It is characterized by a particularly high light intensity.

Technical Data

Sensor	2/3 inch
Focal Length	6 mm
max. Focal Length	10 mm
Aperture	1.6
MOD	0.1 m
Angle of View	D:111° H:87° V:64°
Megapixel	12 MP
Image Circle	11 mm
Weight	70 g



Light Sensitive



12 Megapixel

