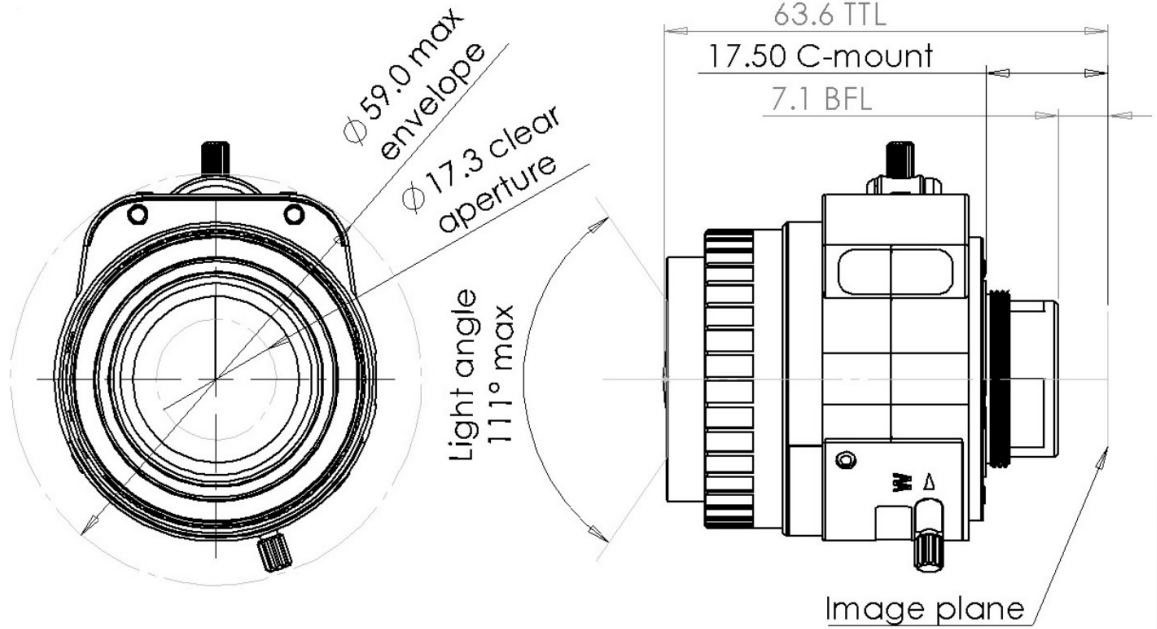


# Theia ML410M



The C-Mount lens Theia ML410M is suitable for current sensors up to 12 megapixel with an image format of 1/1.7 inch. It is characterized by a particularly high light intensity.

## Technical Data

Mount	C-Mount
Sensor	1/1.7 inch
Focal Length	4 mm
max. Focal Length	10 mm
Aperture	1.6
MOD	0.5 m
Angle of View	D:149° H:112° V:81°
Megapixel	12 MP
IR Correction	Yes
Image Circle	9.4 mm
Weight	70 g
Focus	manual-lock
Typ	Standard



Light Sensitive



Megapixel