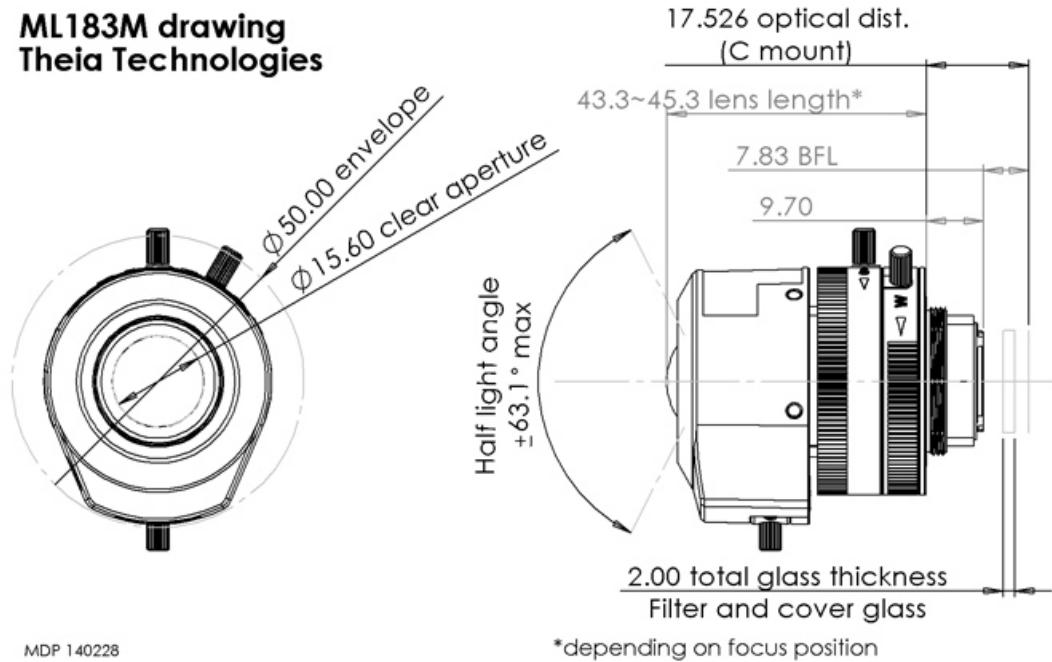


Theia ML183M

ML183M drawing
Theia Technologies



MDP 140228



The C-Mount lens Theia ML183M is suitable for common sensors up to 5 megapixel with an image format of 1/2.5 inch. It is characterized by a particularly high light intensity.

Technical Data

| | |
|-------------------|---------------------|
| Mount | C-Mount |
| Sensor | 1/2.5 inch |
| Focal Length | 1.8 mm |
| max. Focal Length | 3 mm |
| Aperture | 1.8 |
| MOD | 0.5 m |
| Back Focal | 8.2 mm |
| Angle of View | D:126° H:115° V:99° |
| Megapixel | 5 MP |
| IR Correction | Yes |
| IR Cut Filter | No |
| Weight | 59 g |
| Iris | manual-lock |
| Focus | manual-lock |
| Typ | Standard |



Light Sensitive



5 Megapixel