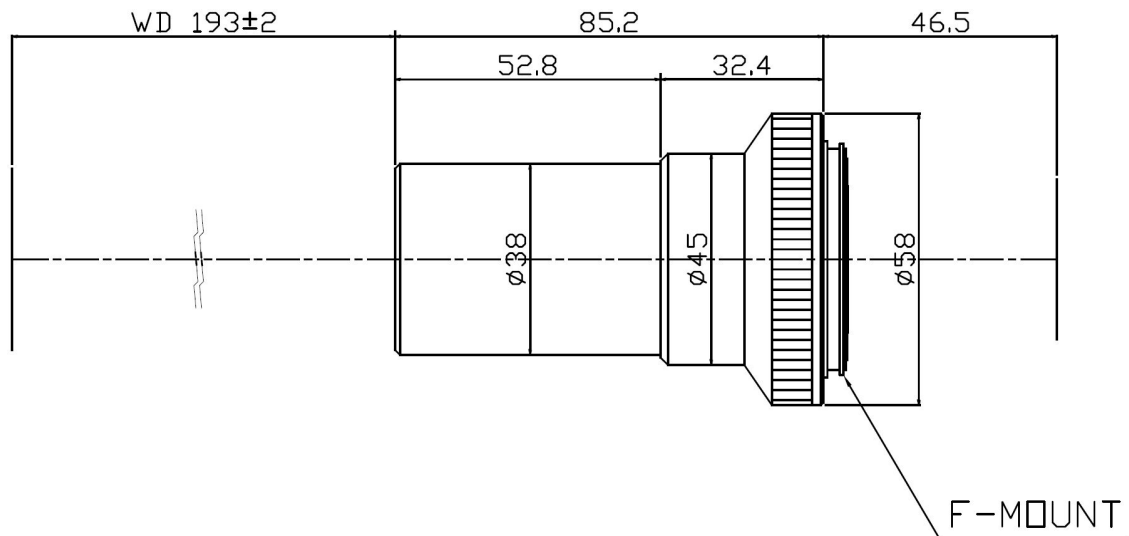


# MF8M-075-193



The Macro Lens MF8M-075-193 is suitable for sensors up to 8 megapixel and with an image format of 8M (23mm).

## Technical Data

Magnification	0.75 X
Mount Type	F-Mount
Aperture (F)	10
Working Distance (WD)	193
Depth of Field (DOF)	780 µm
Resolution (Object Side)	8.9 µm
Numerical Aperture (NA)	0.0376
Image Format (max.)	8M (23mm)
Megapixel	8 MP
Field of View (FOV)	24.16mm x 18.12mm@8M CCD
Telecentric Type	Macro
Optical Distortion (max.)	0.005 %

