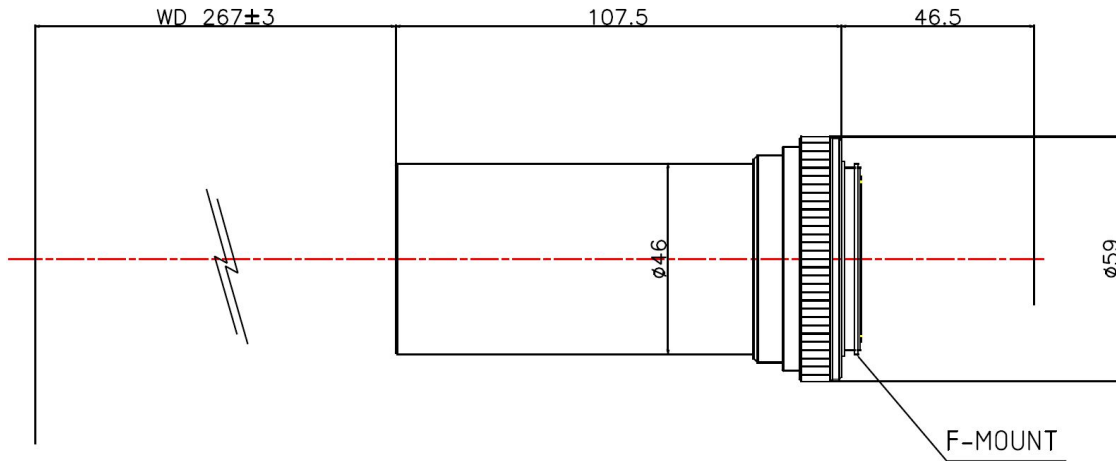


# MF8M-0247-267



The Macro Lens MF8M-0247-267 is suitable for sensors up to 8 megapixel and with an image format of 8M (23mm).

## Technical Data

Magnification	0.247 X
Mount Type	F-Mount
Aperture (F)	5
Working Distance (WD)	267
Depth of Field (DOF)	3600 µm
Resolution (Object Side)	13.6 µm
Numerical Aperture (NA)	0.0247
Image Format (max.)	8M (23mm)
Megapixel	8 MP
Field of View (FOV)	73.36mm x 55.02m@8M CCD
Telecentric Type	Macro
Optical Distortion (max.)	0.01 %

