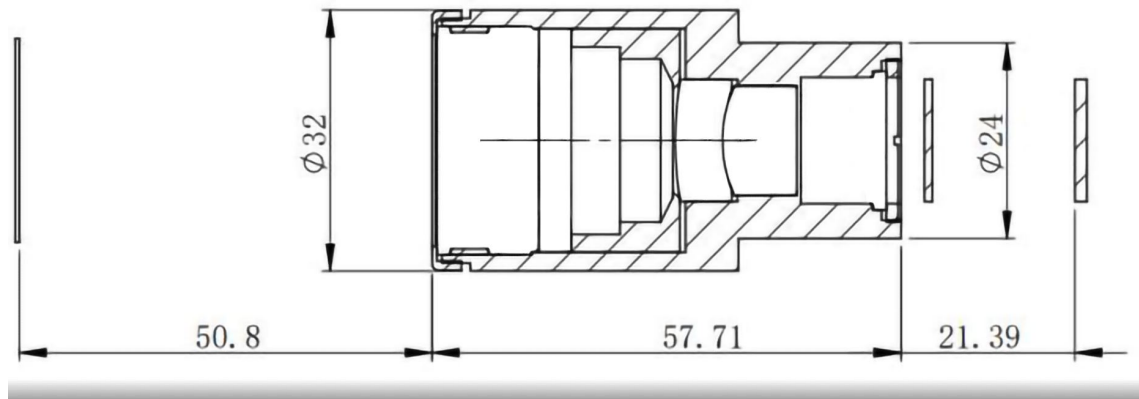


# MD24-6M-65-508



FL: 30,64mm; F#(WD=8): F0,52; F#(WD=50,8): F2,6  
Working wavelength: triple bandpass 400-415nm, 440-460nm,  
630-660nm; Reference wavelength: 405nm

## Technical Data

Art.Gr.	MCR
Magnification	0.65 X
Working Distance (WD)	51 mm
Image Format (max.)	2/3"
Megapixel (max.)	6.0 MP
Working F-Number	2.60
Optical Distortion (max.)	0.15 %

Hinweis:

