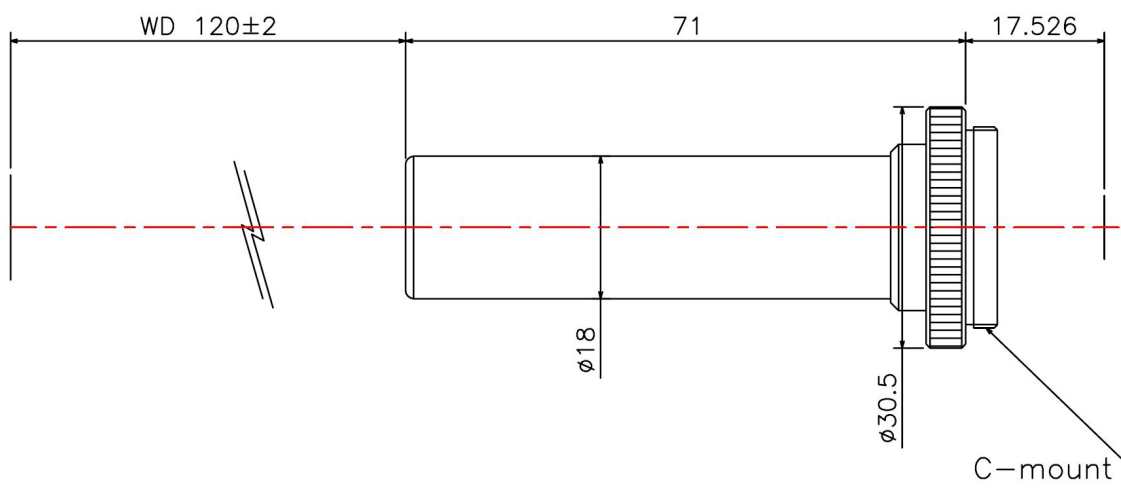


MCST-06-120



The Macro Lens MCST-06-120 is suitable for sensors with an image format of 1/2 inch.

Technical Data

Magnification	0.6 X
Mount Type	C-Mount
Aperture (F)	8.3
Working Distance (WD)	20
Depth of Field (DOF)	1800 µm
Resolution (Object Side)	9.3 µm
Numerical Aperture (NA)	0.036
Image Format (max.)	1/2 inch
Field of View (FOV)	10.67mm x 8mm@1/2" CCD
Telecentric Type	Macro
Optical Distortion (max.)	0.04 %

