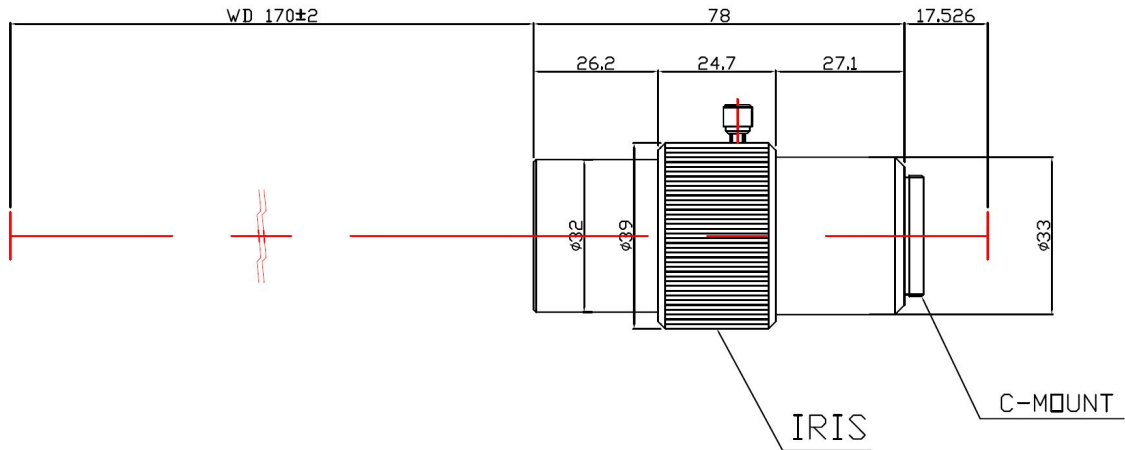


MC4M-03-170I



The Macro Lens MC4M-03-170I is suitable for sensors up to 4 megapixel and with an image format of 1 inch.

Technical Data

Magnification	0.3 X
Mount Type	C-Mount
Aperture (F)	7.5
Working Distance (WD)	170
Depth of Field (DOF)	1400 µm
Resolution (Object Side)	16.7 µm
Numerical Aperture (NA)	0.02
Image Format (max.)	1 inch
Megapixel	4 MP
Field of View (FOV)	37.53mm x 37.53mm@4M CCD
Telecentric Type	Macro
Optical Distortion (max.)	0.06 %

