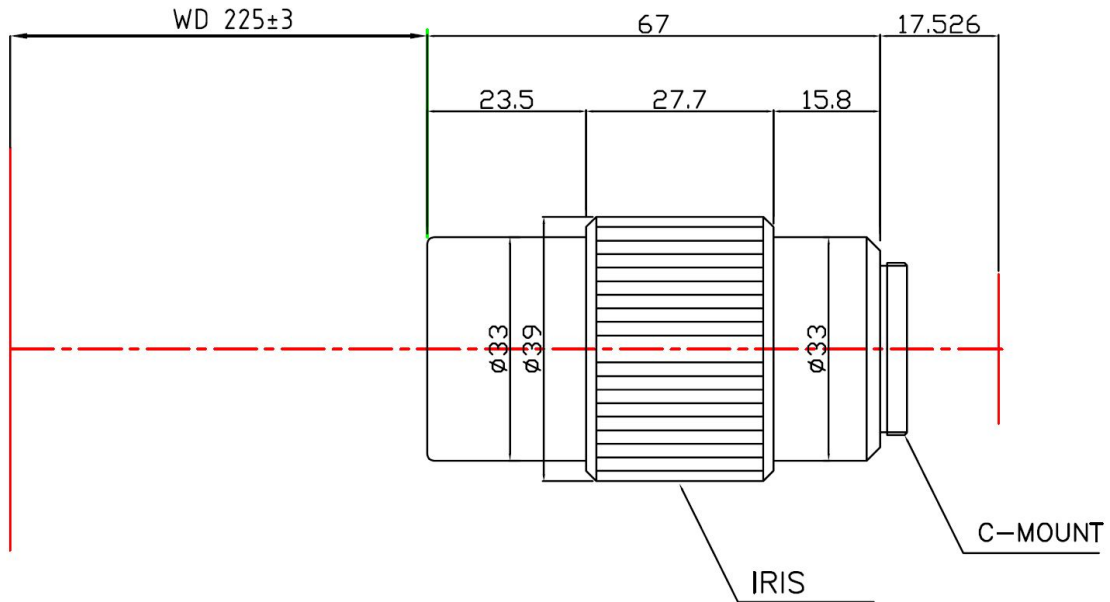


MC4M-0185-225I



The Macro Lens MC4M-0185-225I is suitable for sensors up to 4 megapixel and with an image format of 1 inch.

Technical Data

Magnification	0.185 X
Mount Type	C-Mount
Aperture (F)	4.9
Working Distance (WD)	225
Depth of Field (DOF)	6300 μm
Resolution (Object Side)	17.6 μm
Numerical Aperture (NA)	0.019
Image Format (max.)	1 inch
Megapixel	4 MP
Field of View (FOV)	60.86mm x 60.86mm@4M CCD
Telecentric Type	Macro
Optical Distortion (max.)	0.01 %

