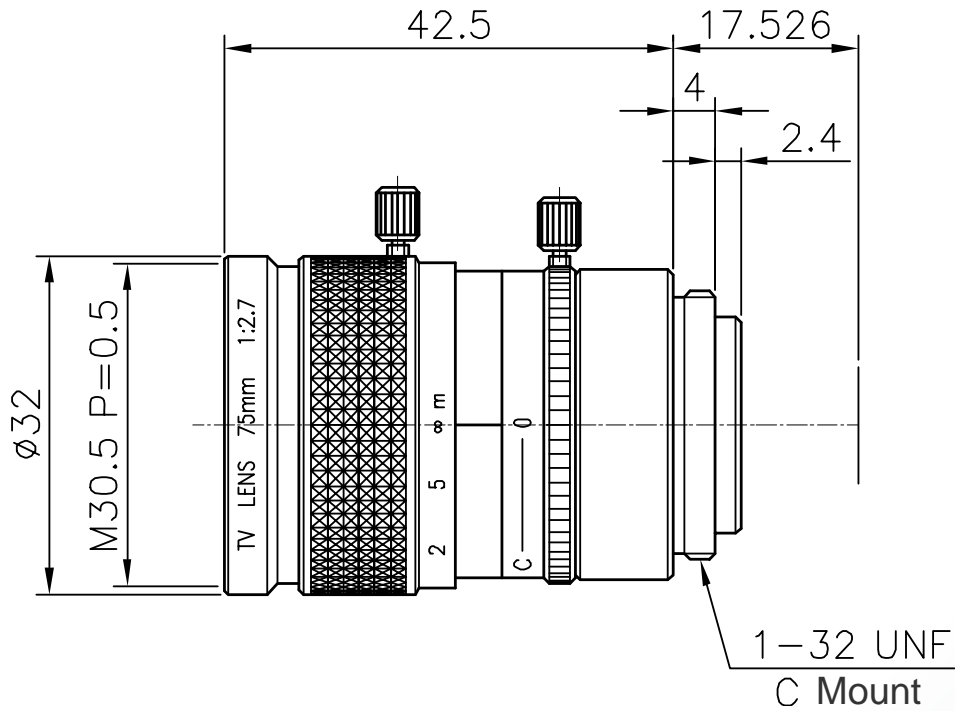


# Lensagon CY7527



The C-Mount lens Lensagon CY7527 is suitable for sensors below 1 megapixel with an image format of 2/3 inch.

## Technical Data

Mount	C-Mount
Sensor	2/3 inch
Focal Length	75 mm
Aperture	2.7
MOD	1 m
Angle of View	D:8.39° H:6.6° V:4.9°
Megapixel	0.4 MP
IR Cut Filter	No
TV Distortion	0.31 %
Image Circle	11 mm
Weight	58.2 g
Iris	manual-lock
Focus	manual-lock
Filter	M30.5 P=0.5
Typ	Standard

