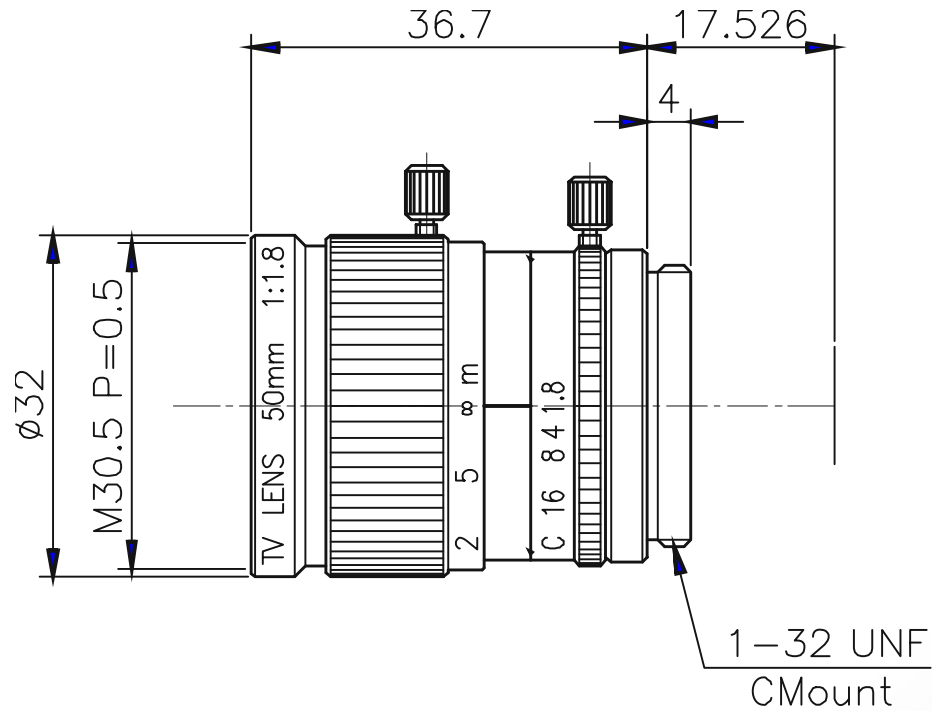


Lensagon CY5018



The C-Mount lens Lensagon CY5018 is suitable for sensors below 1 megapixel with an image format of 2/3 inch. It is characterized by a particularly high light intensity.

Technical Data

| | |
|---------------|-------------------------|
| Mount | C-Mount |
| Sensor | 2/3 inch |
| Focal Length | 50 mm |
| Aperture | 1.8 |
| MOD | 1 m |
| Back Focal | 13.94 mm |
| Angle of View | D:12.55° H:10.5° V:7.9° |
| Megapixel | 0.4 MP |
| IR Cut Filter | No |
| TV Distortion | 0.1 % |
| Image Circle | 11 mm |
| Weight | 55 g |
| Iris | manual-lock |
| Focus | manual-lock |
| Filter | M30.5 P=0.5 |
| Typ | Standard |



Light Sensitive