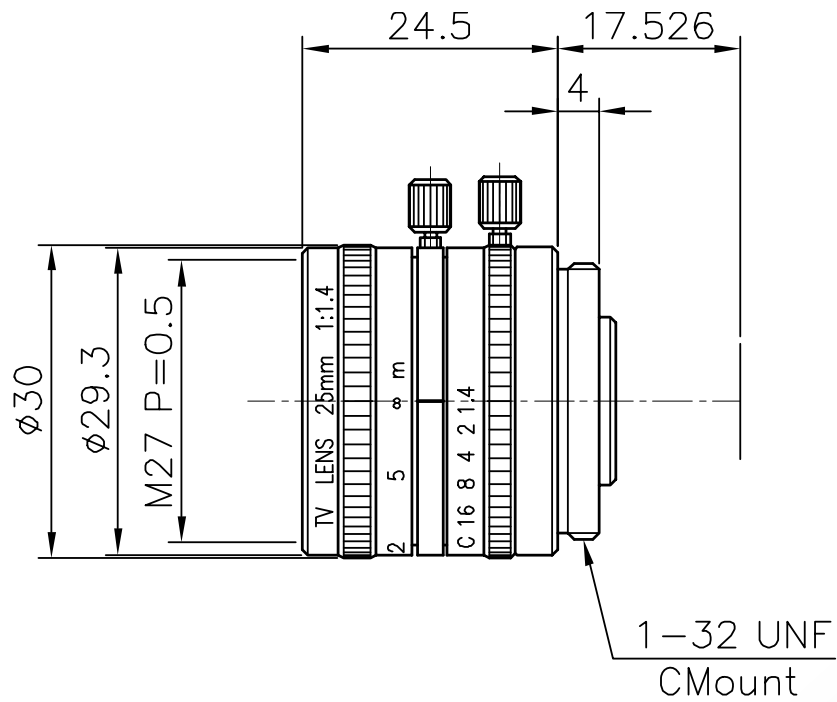


# Lensagon CY2514



The C-Mount lens Lensagon CY2514 is suitable for sensors below 1 megapixel with an image format of 2/3 inch. It is characterized by a particularly high light intensity.

## Technical Data

Mount	C-Mount
Sensor	2/3 inch
Focal Length	25 mm
Aperture	1.4
MOD	0.5 m
Back Focal	11.94 mm
Angle of View	D:24.81° H:28.5° V:21.6°
Megapixel	0.4 MP
IR Cut Filter	No
TV Distortion	-0.1 %
Image Circle	11 mm
Weight	43 g
Iris	manual-lock
Focus	manual-lock
Filter	M27 P=0.5
Typ	Standard

