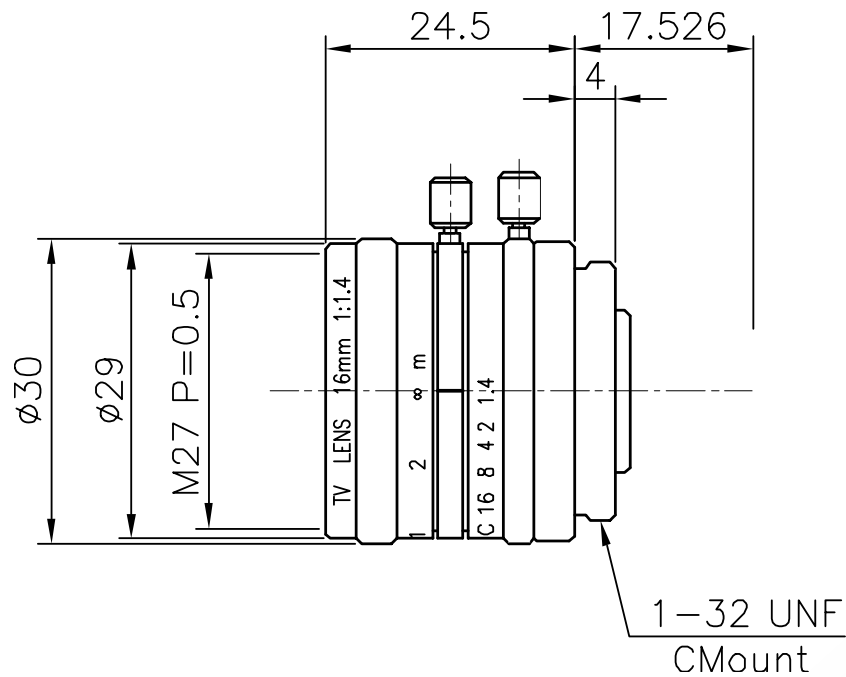


Lensagon CY1614



The C-Mount lens Lensagon CY1614 is suitable for sensors below 1 megapixel with an image format of 2/3 inch. It is characterized by a particularly high light intensity.

Technical Data

Mount	C-Mount
Sensor	2/3 inch
Focal Length	16 mm
Aperture	1.4
MOD	0.4 m
Back Focal	12.44 mm
Angle of View	D:37.94° H:30.4° V:23°
Megapixel	0.4 MP
IR Cut Filter	No
TV Distortion	-0.2 %
Image Circle	11 mm
Weight	40 g
Iris	manual-lock
Focus	manual-lock
Filter	M27 P=0.5
Typ	Standard

