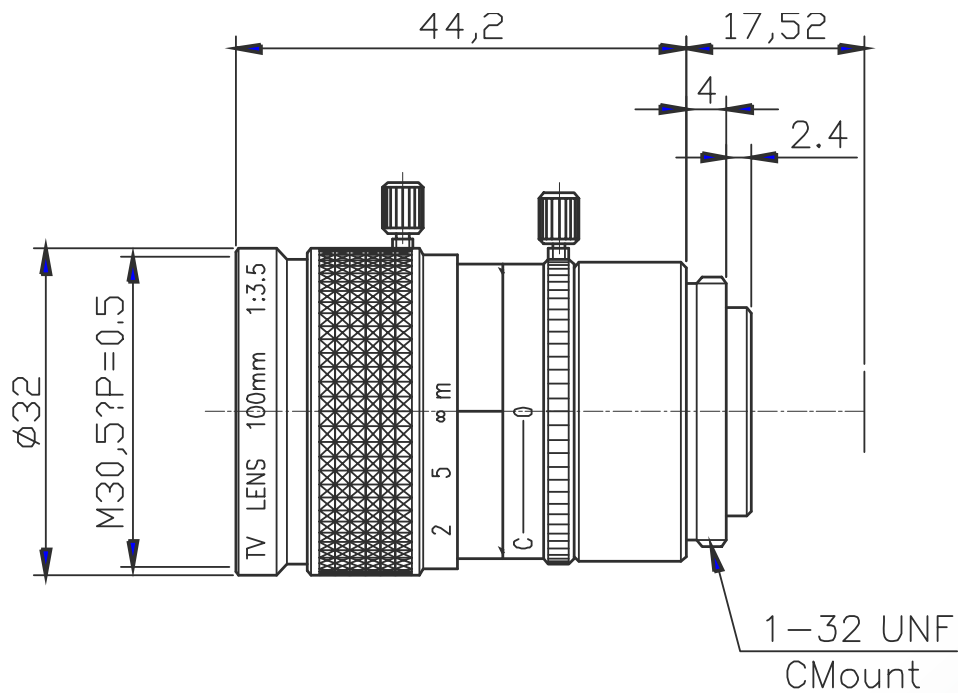


Lensagon CY10035



The C-Mount lens Lensagon CY10035 is suitable for common sensors up to 1 megapixel with an image format of 2/3 inch.

Technical Data

Mount	C-Mount
Sensor	2/3 inch
Focal Length	100 mm
Aperture	3.5
MOD	1 m
Angle of View	D:6.3° H:5.1° V:3.8°
Megapixel	1-2 MP
IR Cut Filter	No
TV Distortion	0.3 %
Image Circle	11 mm
Weight	61 g
Iris	manual-lock
Focus	manual-lock
Filter	M30.5 P=0.5
Typ	Standard



1 Megapixel