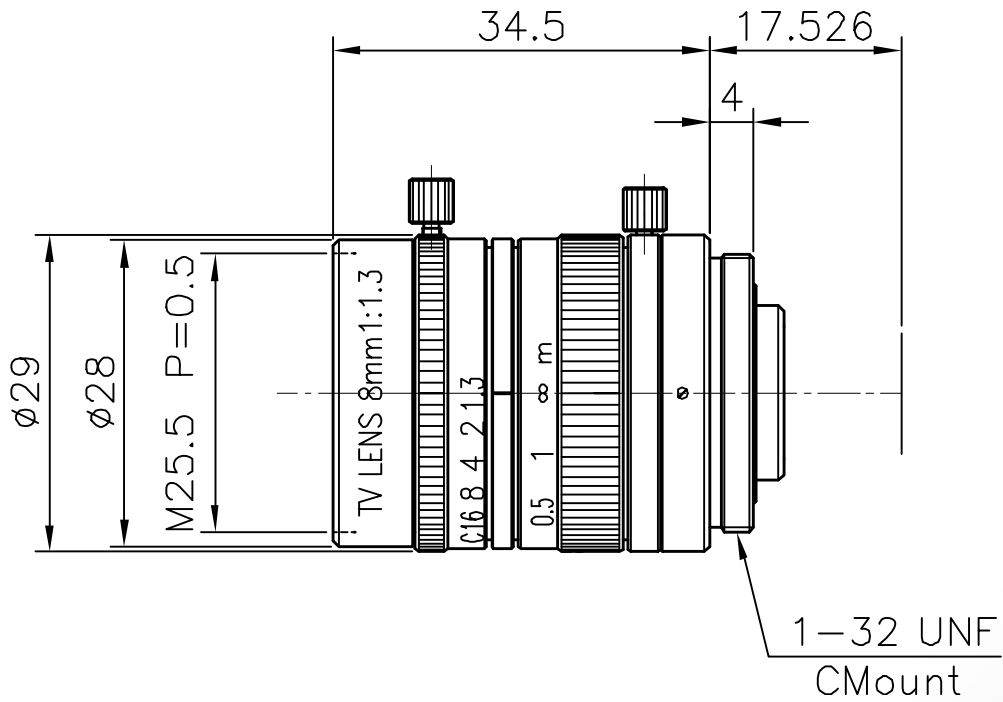


Lensagon CY0813



The C-Mount lens Lensagon CY0813 is suitable for sensors below 1 megapixel with an image format of 2/3 inch. It is characterized by a particularly high light intensity.

Technical Data

Mount	C-Mount
Sensor	2/3 inch
Focal Length	8 mm
Aperture	1.3
MOD	0.2 m
Back Focal	10.99 mm
Angle of View	D:69.02° H:57.8° V:45°
Megapixel	0.4 MP
IR Cut Filter	No
TV Distortion	-0.6 %
Image Circle	11 mm
Weight	61.1 g
Iris	manual-lock
Focus	manual-lock
Filter	M25.5 P=0.5
Typ	Standard



Light Sensitive