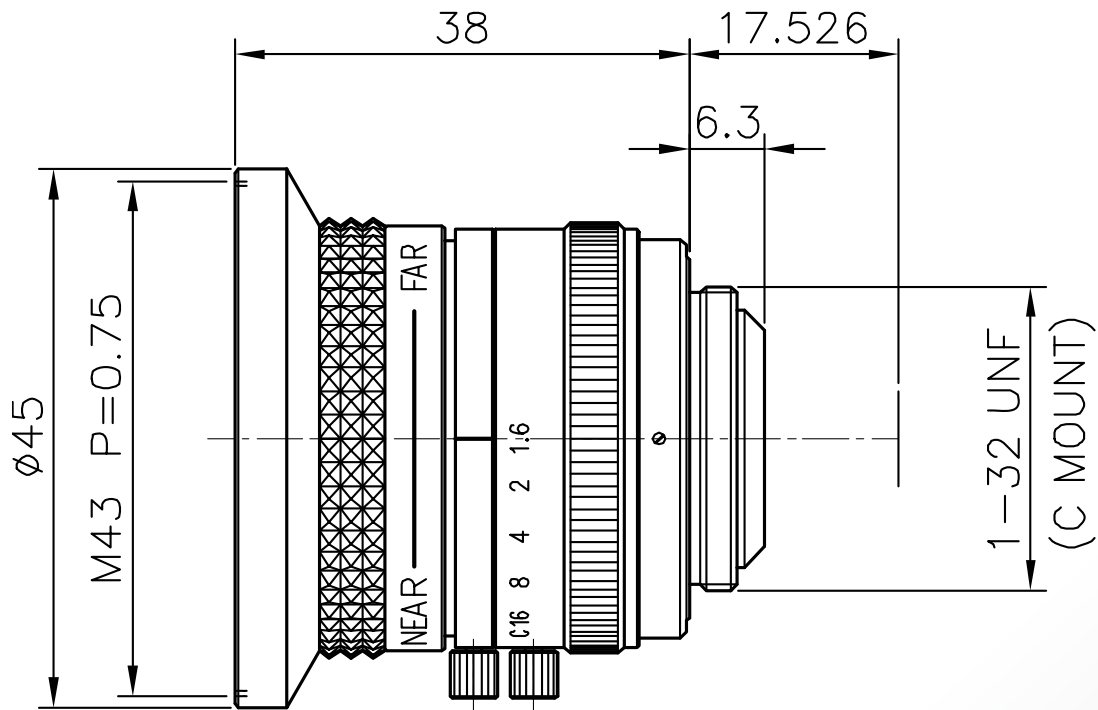


Lensagon CY0316



The C-Mount lens Lensagon CY0316 is suitable for sensors below 1 megapixel with an image format of 1/2 inch. It is characterized by a particularly high light intensity.

Technical Data

Mount	C-Mount
Sensor	1/2 inch
Focal Length	3.5 mm
Aperture	1.6
MOD	0.1 m
Back Focal	11.45 mm
Angle of View	D:97.63° H:84.9° V:68.9°
Megapixel	0.4 MP
IR Cut Filter	No
TV Distortion	4.99 %
Image Circle	8 mm
Weight	95.7 g
Iris	manual-lock
Focus	manual-lock
Filter	M43 P=0.75
Typ	Standard



Light Sensitive