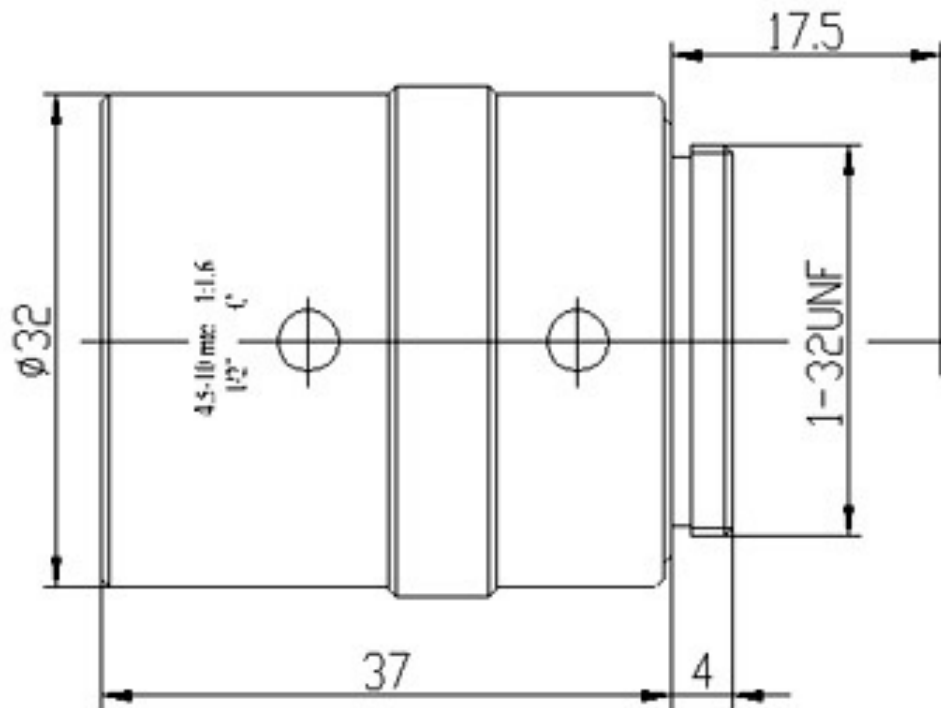


Lensagon CVM45100



The lens Lensagon CVM45100 is suitable for sensors below 1 megapixel with an image format of .

Technical Data



Light Sensitive

