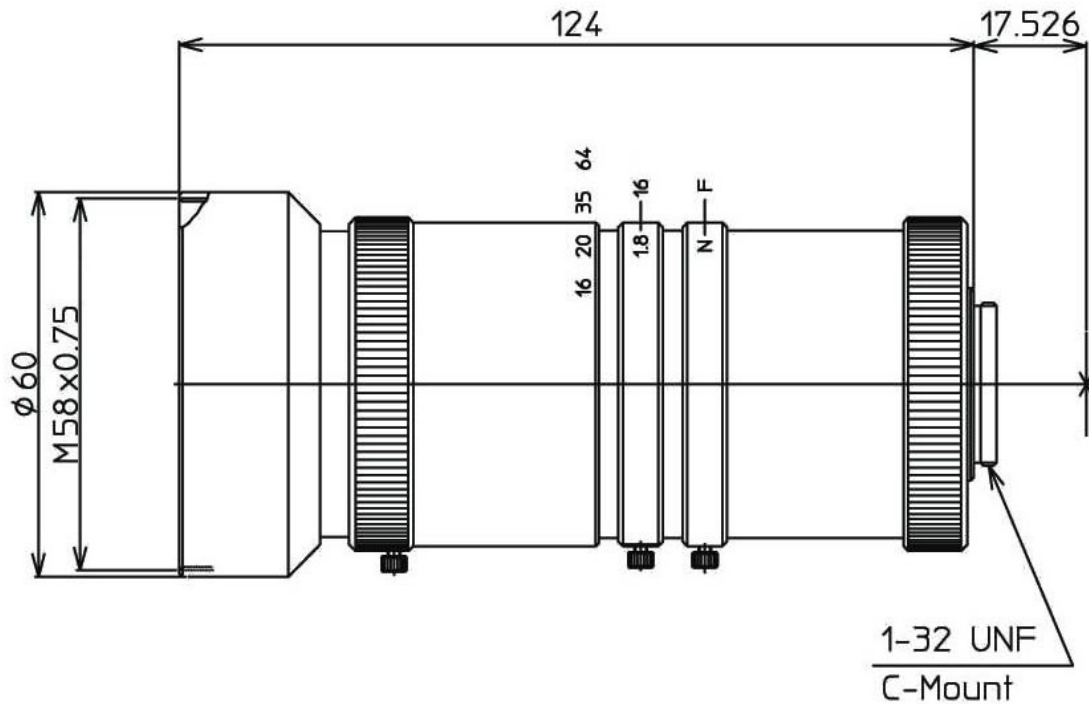


CVM1664NDGS



The C-Mount lens Lensagon CVM1664NDGS is suitable for common sensors up to 1 megapixel with an image format of 1 inch. It is characterized by a particularly high light intensity.

Technical Data

Mount	C-Mount
Sensor	1 inch
Focal Length	16 mm
max. Focal Length	64 mm
Aperture	1.8
MOD	1 m
Angle of View	D:57.9° H:45.9° V:34.2°
Megapixel	1-2 MP
IR Cut Filter	No
TV Distortion	-3.4 %
Weight	370 g
Iris	manual-lock
Focus	manual-lock
Filter	M58 x P=0.75
Typ	Varifocal



Light Sensitive



Megapixel