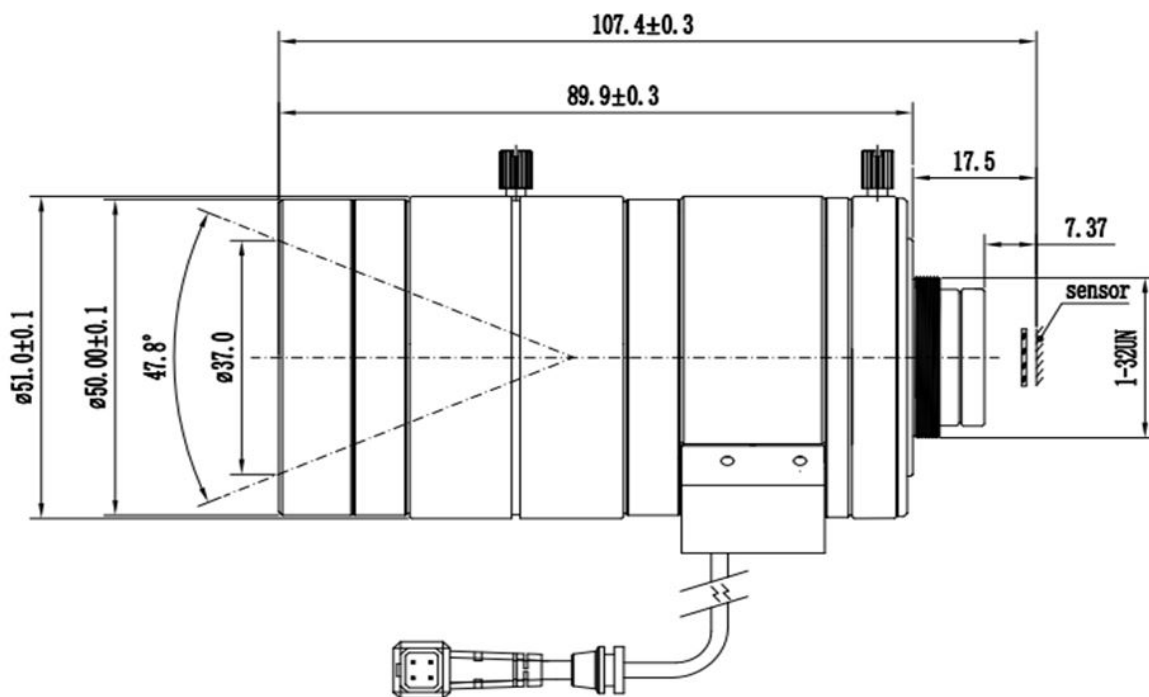


CV8M100500S117AI



The C-Mount lens Lensagon CV8M100500S117AI is suitable for current sensors up to 8 megapixel with an image format of 1/1.7 inch. It is characterized by a particularly high light intensity.

Technical Data

Mount	C-Mount
Sensor	1/1.7 inch
Focal Length	10 mm
max. Focal Length	50 mm
Aperture	1.4
Angle of View	D:47.8° H:41° V:25.6°
Megapixel	8 MP
IR Correction	Yes
Image Circle	9.5 mm
Iris	auto
Focus	manual-lock
Typ	Standard



Light Sensitive



8 Megapixel

