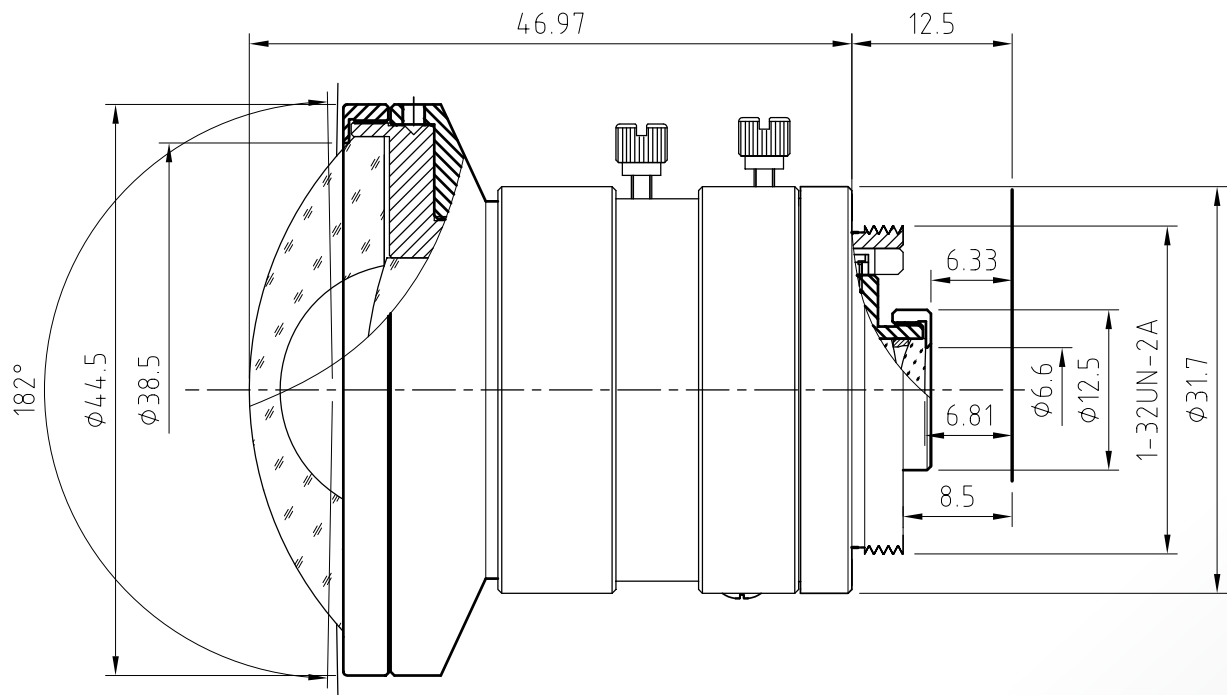


Lensagon CSF5M1414



The Fisheye CS-Mount lens Lensagon CSF5M1414 is suitable for common sensors up to 5 megapixel with an image format of 1/2 inch. It is characterized by a particularly high light intensity.

Technical Data

Mount	CS-Mount
Sensor	1/2 inch
Focal Length	1.4 mm
Aperture	1.4
MOD	0.08 m
Back Focal	6.81 mm
Angle of View	D:182° H:° V:°
Megapixel	5 MP
IR Correction	Yes
Image Circle	4.8 mm
Weight	117 g
Iris	manual-lock
Focus	manual-lock
Typ	Fisheye



Light Sensitive



5 Megapixel